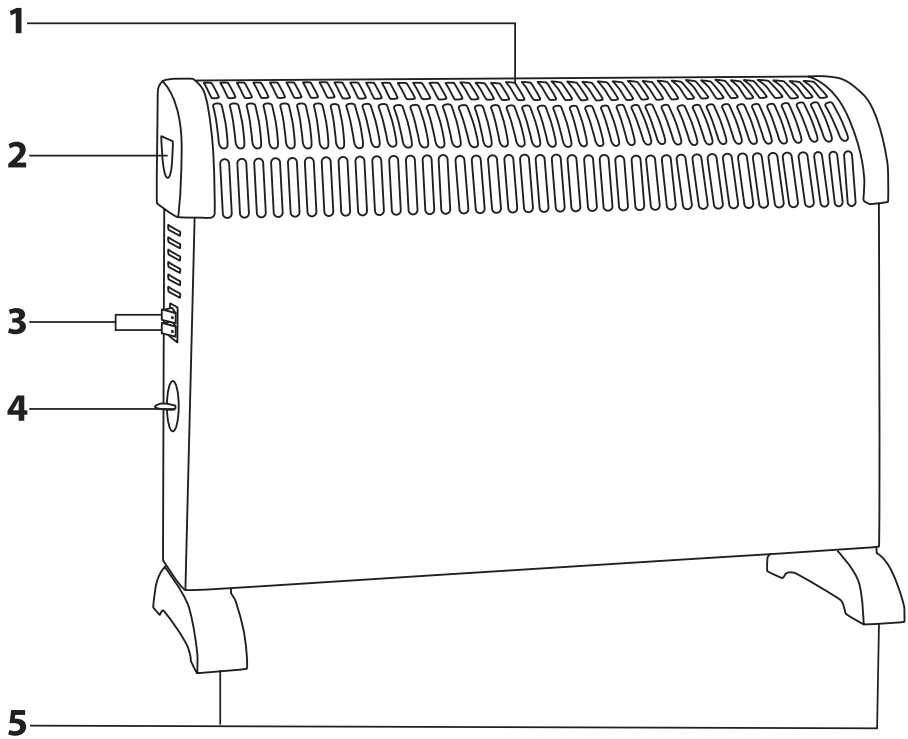




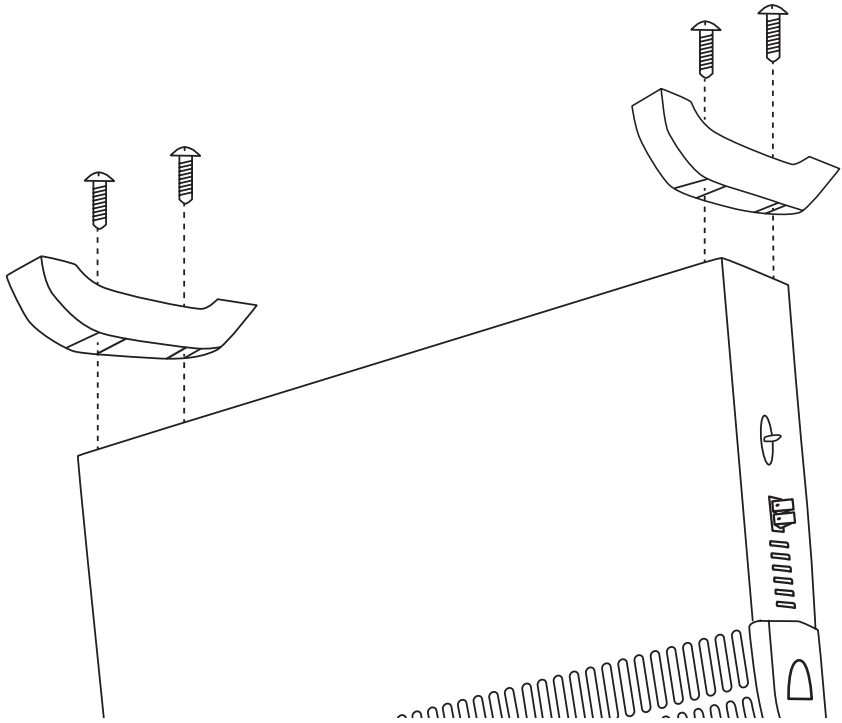
## EN ■ Convection Heater

**This product is suitable only for well insulated areas or for infrequent use.  
Information relating to local electric heaters according to Commission Directive EU 2015/1188 is  
provided in the attachment to this user's manual.**

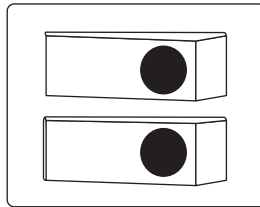
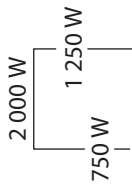
**A**



B



C



- Prior to using this appliance, please read the user's manual thoroughly, even in cases, when one has already familiarised themselves with previous use of similar types of appliances. Only use the appliance in the manner described in this user's manual. Keep this user's manual in a safe place where it can be easily retrieved for future use.
- We recommend saving the original cardboard box, packaging material, purchase receipt and responsibility statement of the vendor or warranty card for at least the duration of the legal liability for unsatisfactory performance or quality. In the event of transportation, we recommend that you pack the appliance in the original box from the manufacturer.

## IMPORTANT SAFETY INSTRUCTIONS

### READ CAREFULLY AND STORE FOR FUTURE USE.

- This appliance may be used by children 8 years of age and older and by persons with physical or mental impairments or by inexperienced persons, if they are properly supervised or have been informed about how to use this product in a safe manner and understand the potential dangers. Cleaning and maintenance performed by the user must not be performed by unsupervised children.
- Children from 3 to 8 years of age shall only turn this appliance on and off under the condition that it is located or installed in its intended normal operating position and that they are under supervision or were informed about the safe operation of the appliance and understand the potential hazards. Children from 3 to 8 years of age must not insert the plug into the power socket, adjust its settings or clean the appliance or carry out maintenance performed by the user.
- Children younger than 3 years of age should be prevented from accessing the appliance unless they are under constant supervision.
- Children must not play with the appliance.
- This appliance is designed for household use only.
- This appliance is not intended for outdoor use or for commercial purposes such as, for example use at a construction site.
- Before connecting the appliance to a power socket, check that the nominal voltage on its rating label matches the voltage in the power socket to which you wish to connect it.
- Connect the appliance only to a properly grounded socket. Do not connect it to an extension cord or two way adapter.
- Do not handle the appliance or its power cord when you have wet hands.
- This appliance must not be located directly underneath a power socket.
- Do not use the appliance without the feet being properly attached. To attach the feet, proceed according to the instructions in this user's manual.
- This appliance is not intended to be mounted on a wall.
- Do not use this appliance in the near vicinity of a bath, shower or swimming pool.
- Do not use this appliance in a bathroom, laundry or in rooms with an elevated level of humidity, or place it in such locations, where there is a risk of water being poured on it or where it could come into contact with sprayed water.
- Do not locate the appliance in the vicinity of an open fire.
- Do not use the appliance in rooms with high dustiness or in locations where explosive or flammable substances are used or stored, e.g. petrol, paints, aerosols, etc., or where explosive or toxic fumes could be present, or in industrial surroundings.
- Do not place the appliance on inclining or unstable surfaces such as carpets with very long and thick fibres, couches, etc. Only place the appliance on a horizontal, dry, clean, smooth and stable surface.
- Do not connect the appliance to a power socket unless all the feet are attached to it and unless it is in the correct operating position.
- Do not insert any objects into the openings of the appliance. This could lead to an electrical short circuit, fire or damage to the appliance.
- During operation there needs to be sufficient free space around the appliance. Leave at least 1 m of free space in front of the appliance, and leave 0.5 m free space on its sides and behind the appliance.

- Do not use the appliance in the vicinity of curtains, drapes or other flammable materials. During operation, the appliance must be located at least 1 m away from flammable materials.
- We do not recommend using this appliance in rooms measuring less than 6 m<sup>2</sup>.



This label located on the appliance means:

**Warning: Do not cover**



**Warning:**

To prevent overheating, do not cover the appliance.

- This appliance must not be used with a program, timer switch, a remote control system or any other device which switches the appliance on automatically, because there is a danger of a fire if the appliance is covered or incorrectly located.



**Attention:**

Certain parts of this appliance may become very hot and cause burns. Special attention should be paid when children and handicapped people are present.

- Increased attention and supervision must be paid when the appliance is used in the vicinity of animals.
- The appliance must not be left without supervision when it is in operation. Do not leave the appliance in operation when feeling sleepy or during sleep.
- Do not use the appliance for drying clothing.
- To turn the appliance off, turn the temperature control knob to the MIN position and set both the power level switches to the off position. Then disconnect the power cord from the power socket.
- Always turn off the appliance and disconnect it from the power socket when not using it and when leaving it without supervision, before moving or cleaning it, and before performing maintenance. Do not move the appliance during operation. Allow the appliance to cool down before moving or cleaning it and before performing maintenance.

- Keep the appliance clean. Clean it according to the instructions in chapter Cleaning and maintenance. Do not perform any maintenance on the appliance apart from the cleaning procedure described in chapter Cleaning and maintenance.
- To prevent potential injury by electrical shock, do not submerge this appliance or its power cord in water or in any other liquid.
- Locate the power cord in such a way that it cannot be tripped over, that it is not in contact with a hot surface or sharp objects. Do not locate it under a carpet, carpet runner, etc.
- Disconnect the appliance from the power socket by gently pulling the plug of the power cord, and not the power cord itself. Otherwise, this could damage the power cord or the socket.
- If the power cord is damaged, it must be replaced by the manufacturer, its service technician or by a similarly qualified person, as this will prevent a dangerous situation from arising. It is forbidden to use the appliance if it has a damaged power cord.
- Do not use the appliance when it is not functioning correctly or after it has fallen on the floor, been submerged in water or is damaged in any other way. Hand it over to an authorised service centre for inspection or repair.
- Never repair the appliance yourself or make any adjustments to it. To prevent a dangerous situation from arising, have all repairs performed at an authorised service centre. By tampering with the appliance, you risk voiding your legal rights arising from unsatisfactory performance or quality warranty.
- The manufacturer is not responsible for any damages caused by the incorrect use of this appliance.

#### DESCRIPTION OF THE APPLIANCE

- A1** Hot air outlets
- A2** Carry handle  
is located on both sides.
- A3** Switch for setting the power level and for turning off the heating elements
- A4** Temperature control knob
- A5** Feet



**Note:**

The appliance is supplied together with 4 self-tapping screws for attaching the feet **A5**.

#### BEFORE FIRST USE

- Before first use, remove all packaging materials including promotional stickers and labels from the appliance and make sure that no part of the appliance is missing.
- Attach the feet **A5** according to the following instructions.

## ATTACHING THE FEET TO THE APPLIANCE

- Never connect the convection heater to a power socket before attaching the feet.
- Carefully turn the appliance upside down and using the four self-tapping screws, firmly attach the feet **A5** to both ends of the underside of the convection heater as shown in figure B. After attaching them, make sure that the feet **A5** are properly located on both ends of the underside of the convection heater.
- Turn the convection heater to the operating position and check its stability on a horizontal, dry and stable surface.



### Attention:

The operating position of the convection heater is shown in figure A. The convection heater must not be connected to a power socket until it is properly assembled and put in the operating position according to the aforementioned instructions.

## OPERATING THE APPLIANCE

- Place the assembled convection heater on an even, clean, dry and stable surface within reach of a power socket. At the same time, make sure that all safety instructions are followed.
- Connect the power cord to a power socket.
- Turn the temperature control knob **A4** clockwise to the position **MAX**. To achieve the required room temperature as quickly as possible, set the maximum power level of the heating elements. To set the maximum power setting, set switch **A3** to the position marked by power levels 750 W and 1 250 W as shown in figure C. When the switches **A3** are set to the positions marked on the power level, the heating elements will be turned on. This is signalled by the indicator lights on the switches **A3** being lit. In the event that maximum power output is not required, a lower power output of 750 W or 1 250 W may be set by setting only one of the switches **A3** to the position marked by the respective power level.



### Note:

Upon first use or after it has not been used for an extended period of time, a slight odour may be sensed or a small amount of smoke may be emitted from the convection heater. This is completely normal and will quickly disappear.

- When the required room temperature is reached, it is necessary to set the thermostat to maintain this achieved room temperature. To set the thermostat, slowly turn the temperature control knob **A4** anticlockwise until a click is heard and the indicator lights on the switches **A3** turn off. The heating elements will turn off. The set thermostat will again turn the heating elements on when the ambient temperature declines. When the set temperature is reached, the heating elements will again turn off. The switching on and off of the heating elements is indicated by the indicator lights on the switches **A3** turning on and off.
- In the event that you wish to use the convection heater in the frost-protection mode, set the temperature control knob **A4** to the position **MIN**. The convection heater will maintain the ambient room temperature above freezing point.
- Always after finishing using the appliance, set the temperature control knob **A4** to the position **MIN** and set both the switches **A3** to the off position and disconnect the power cord from the power socket.

## THERMAL PROTECTION

- The appliance is equipped with a thermal fuse that automatically turns it off upon overheating.
- Should such a situation occur, turn the appliance off and disconnect it from the power socket. Then allow it to cool down for at least 15 minutes.
- Before you put the appliance back into operation, check that its vents are not blocked.
- If you are unsuccessful putting the appliance back into operation, please contact an authorised service centre.

## CLEANING AND MAINTENANCE

- Keep the appliance clean. Clean the appliance regularly to ensure dust does not accumulate inside.
- Before cleaning, turn off the appliance, disconnect the power cord from the power socket and allow the appliance to cool down completely.
- To clean the outer surface of the of the appliance, use a clean, dry cloth. To remove dust from the outer surface of the appliance, you may also use a vacuum cleaner.
- For cleaning, do not use steel wool, cleaning products with an abrasive effect, solvents, etc. Otherwise, the outer surface of the appliance may be damaged or a dangerous situation may result.
- Do not submerge the appliance or its power cord in water or any other liquids.

## STORAGE

- When not using the appliance, store it in a dry and clean place out of children's reach. Do not store the appliance in a dusty environment. Allow the appliance to fully cool down before storing it.

## TECHNICAL SPECIFICATIONS

Rated voltage.....	230 V
Rated frequency.....	50 Hz
Rated power .....	2 000 W

We reserve the right to change the text and technical specifications.

## INSTRUCTIONS AND INFORMATION REGARDING THE DISPOSAL OF USED PACKAGING MATERIALS

Dispose of used packaging material at a site designated for waste in your municipality.

## DISPOSAL OF USED ELECTRICAL AND ELECTRONIC EQUIPMENT



This symbol on products or original documents means that used electric or electronic products must not be added to ordinary municipal waste. For proper disposal, renewal and recycling hand over these appliances to determined collection points. Alternatively, in some European Union states or other European countries you may return your appliances to the local retailer when buying an equivalent new appliance.



Correct disposal of this product helps save valuable natural resources and prevents potential negative effects on the environment and

human health, which could result from improper waste disposal. Ask your local authorities or collection facility for more details.

In accordance with national regulations penalties may be imposed for the incorrect disposal of this type of waste.

### For business entities in European Union states

If you want to dispose of electric or electronic appliances, ask your retailer or supplier for the necessary information.

### Disposal in other countries outside the European Union.

This symbol is valid in the European Union. If you wish to dispose of this product, request the necessary information about the correct disposal method from the local council or from your retailer.



This product meets all the basic requirements of EU directives related to it.