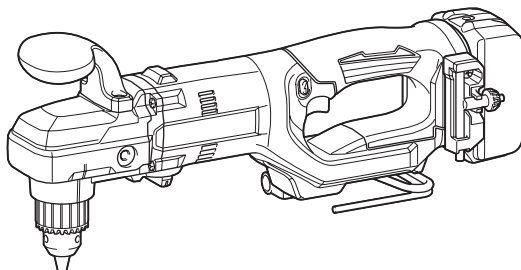
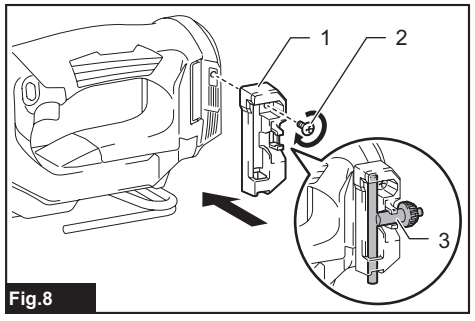
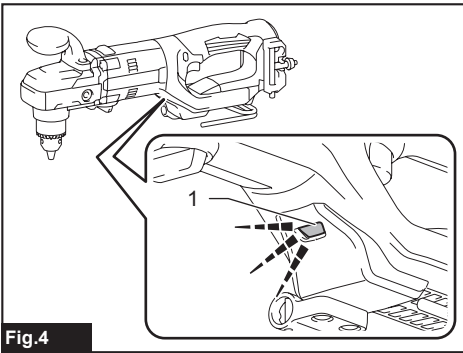
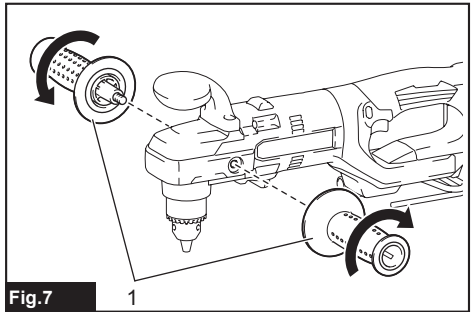
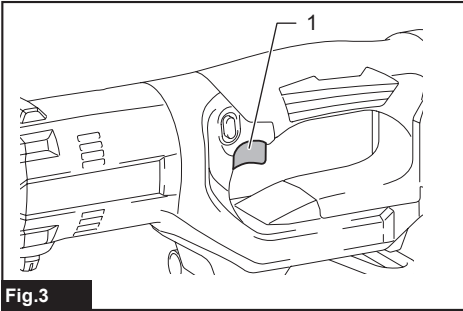
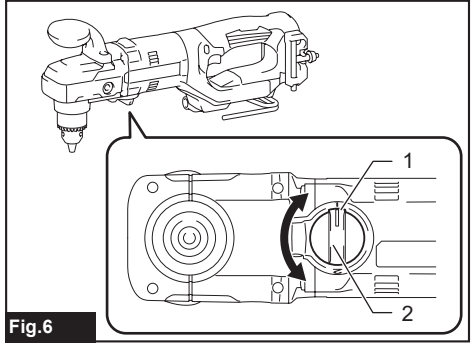
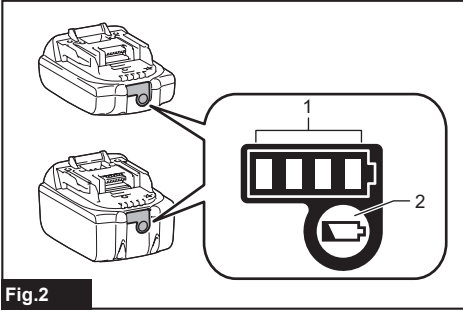
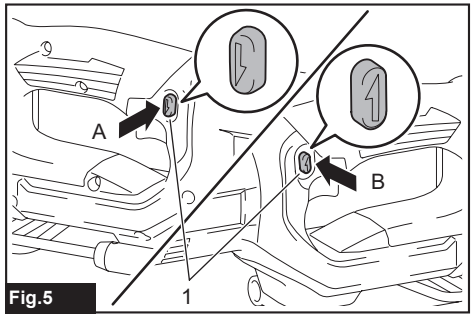
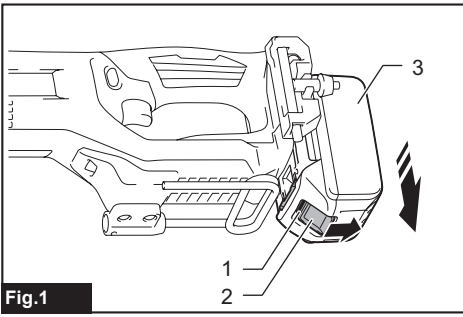




EN	Cordless Angle Drill	INSTRUCTION MANUAL	4
PL	Akumulatorowa wiertarka kątowa	INSTRUKCJA OBSŁUGI	10
HU	Akkumulátoros sarokfúró	HASZNÁLATI KÉZIKÖNYV	17
SK	Akumulátorová uhlová vrtáčka	NÁVOD NA OBSLUHU	24
CS	Akumulátorový úhlový šroubovák	NÁVOD K OBSLUZE	30
UK	Бездротовий дріль для свердління під кутом	ІНСТРУКЦІЯ З ЕКСПЛУАТАЦІЇ	36
RO	Mașină de găurit unghiulară cu acumulator	MANUAL DE INSTRUCȚIUNI	44
DE	Akku-Winkelbohrmaschine	BETRIEBSANLEITUNG	51

## DDA450





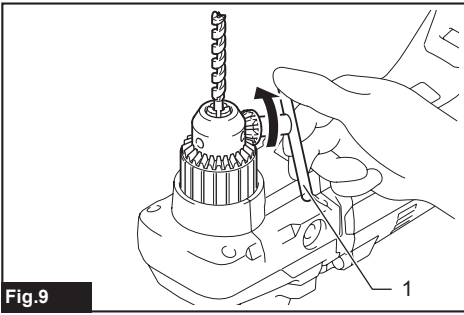


Fig.9

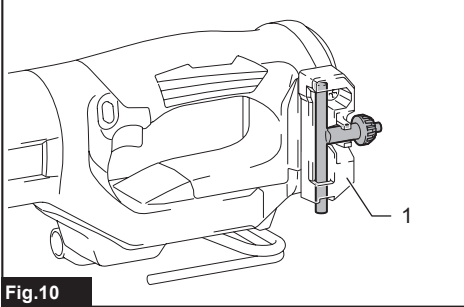


Fig.10

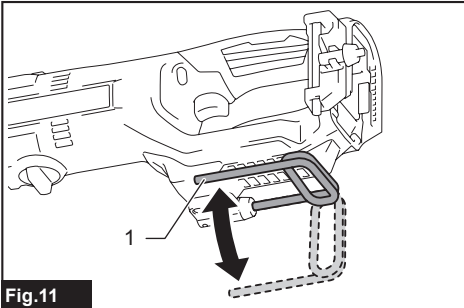


Fig.11

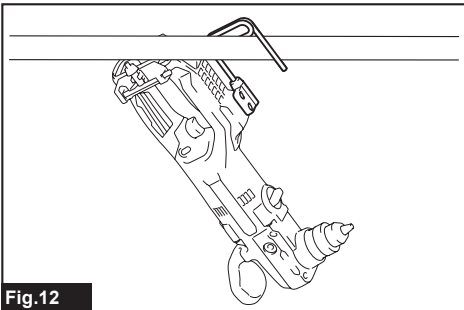


Fig.12

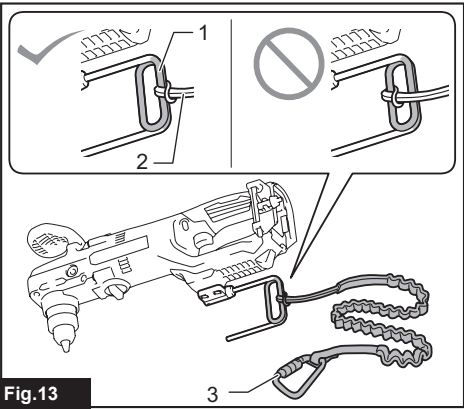


Fig.13

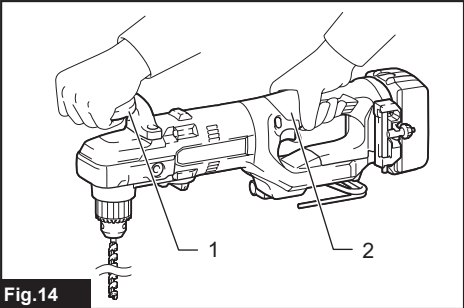


Fig.14

# SPECIFICATIONS

<b>Model:</b>		<b>DDA450</b>	
Gear speed		High	Low
Drilling capacities	Steel	13 mm	
	Wood	Auger bit: 38 mm Self-feed bit: 50 mm Hole saw: 101 mm	Auger bit: 38 mm Self-feed bit: 65 mm Hole saw: 127 mm
No load speed		0 - 1,400 min <sup>-1</sup>	0 - 450 min <sup>-1</sup>
Overall length (With battery cartridge BL1860B)		434 mm	
Rated voltage		D.C. 18 V	
Net weight		3.2 - 3.5 kg	

- Due to our continuing program of research and development, the specifications herein are subject to change without notice.
- Specifications may differ from country to country.
- The weight may differ depending on the attachment(s), including the battery cartridge. The lightest and heaviest combination, according to EPTA-Procedure 01/2014, are shown in the table.

## Applicable battery cartridge and charger

Battery cartridge	BL1815N / BL1820B / BL1830B / BL1840B / BL1850B / BL1860B
Charger	DC18RC / DC18RD / DC18RE / DC18SD / DC18SE / DC18SF / DC18SH

- Some of the battery cartridges and chargers listed above may not be available depending on your region of residence.

**⚠ WARNING: Only use the battery cartridges and chargers listed above.** Use of any other battery cartridges and chargers may cause injury and/or fire.

## Intended use

The tool is intended for drilling in wood, metal and plastic.

## Noise

The typical A-weighted noise level determined according to EN62841-2-1:

Sound pressure level ( $L_{pA}$ ): 83 dB(A)

Sound power level ( $L_{WA}$ ): 94 dB (A)

Uncertainty (K) : 3 dB(A)

**NOTE:** The declared noise emission value(s) has been measured in accordance with a standard test method and may be used for comparing one tool with another.

**NOTE:** The declared noise emission value(s) may also be used in a preliminary assessment of exposure.

**⚠ WARNING: Wear ear protection.**

**⚠ WARNING:** The noise emission during actual use of the power tool can differ from the declared value(s) depending on the ways in which the tool is used especially what kind of workpiece is processed.

**⚠ WARNING:** Be sure to identify safety measures to protect the operator that are based on an estimation of exposure in the actual conditions of use (taking account of all parts of the operating cycle such as the times when the tool is switched off and when it is running idle in addition to the trigger time).

## Vibration

The vibration total value (tri-axial vector sum) determined according to EN62841-2-1:

Work mode: drilling into metal

Vibration emission ( $a_{h,D}$ ): 2.5 m/s<sup>2</sup> or less

Uncertainty (K) : 1.5 m/s<sup>2</sup>

**NOTE:** The declared vibration total value(s) has been measured in accordance with a standard test method and may be used for comparing one tool with another.

**NOTE:** The declared vibration total value(s) may also be used in a preliminary assessment of exposure.

**⚠ WARNING:** The vibration emission during actual use of the power tool can differ from the declared value(s) depending on the ways in which the tool is used especially what kind of workpiece is processed.

**⚠ WARNING:** Be sure to identify safety measures to protect the operator that are based on an estimation of exposure in the actual conditions of use (taking account of all parts of the operating cycle such as the times when the tool is switched off and when it is running idle in addition to the trigger time).

## EC Declaration of Conformity

*For European countries only*

The EC declaration of conformity is included as Annex A to this instruction manual.

# SAFETY WARNINGS

## General power tool safety warnings

**⚠ WARNING:** Read all safety warnings, instructions, illustrations and specifications provided with this power tool. Failure to follow all instructions listed below may result in electric shock, fire and/or serious injury.

## Save all warnings and instructions for future reference.

The term "power tool" in the warnings refers to your mains-operated (corded) power tool or battery-operated (cordless) power tool.

## Cordless drill safety warnings

### Safety instructions for all operations

1. **Use the auxiliary handle(s).** Loss of control can cause personal injury.
2. **Hold the power tool by insulated gripping surfaces, when performing an operation where the cutting accessory may contact hidden wiring.** Cutting accessory contacting a "live" wire may make exposed metal parts of the power tool "live" and could give the operator an electric shock.
3. **Always be sure you have a firm footing. Be sure no one is below when using the tool in high locations.**
4. **Hold the tool firmly.**
5. **Keep hands away from rotating parts.**
6. **Do not leave the tool running. Operate the tool only when hand-held.**
7. **Do not touch the drill bit or the workpiece immediately after operation; they may be extremely hot and could burn your skin.**
8. **Some material contains chemicals which may be toxic. Take caution to prevent dust inhalation and skin contact. Follow material supplier safety data.**
9. **If the drill bit cannot be loosened even you open the jaws, use pliers to pull it out.** In such a case, pulling out the drill bit by hand may result in injury by its sharp edge.
10. **If something wrong with the tool such as abnormal sounds, stop operating immediately and ask your local Makita Service Center for repair.**
11. **Before operation, make sure that there is no buried object such as electric pipe, water pipe or gas pipe in the ground.** Otherwise, the tool may touch them, resulting an electric shock, electrical leakage or gas leak.

### Safety instructions when using long drill bits

1. **Never operate at higher speed than the maximum speed rating of the drill bit.** At higher speeds, the bit is likely to bend if allowed to rotate freely without contacting the workpiece, resulting in personal injury.
2. **Always start drilling at low speed and with the bit tip in contact with the workpiece.** At higher speeds, the bit is likely to bend if allowed to rotate freely without contacting the workpiece, resulting in personal injury.

3. **Apply pressure only in direct line with the bit and do not apply excessive pressure.** Bits can bend causing breakage or loss of control, resulting in personal injury.

## SAVE THESE INSTRUCTIONS.

**⚠ WARNING:** DO NOT let comfort or familiarity with product (gained from repeated use) replace strict adherence to safety rules for the subject product. MISUSE or failure to follow the safety rules stated in this instruction manual may cause serious personal injury.

## Important safety instructions for battery cartridge

1. **Before using battery cartridge, read all instructions and cautionary markings on (1) battery charger, (2) battery, and (3) product using battery.**
2. **Do not disassemble or tamper with the battery cartridge.** It may result in a fire, excessive heat, or explosion.
3. **If operating time has become excessively shorter, stop operating immediately.** It may result in a risk of overheating, possible burns and even an explosion.
4. **If electrolyte gets into your eyes, rinse them out with clear water and seek medical attention right away.** It may result in loss of your eyesight.
5. **Do not short the battery cartridge:**
  - (1) **Do not touch the terminals with any conductive material.**
  - (2) **Avoid storing battery cartridge in a container with other metal objects such as nails, coins, etc.**
  - (3) **Do not expose battery cartridge to water or rain.**

A battery short can cause a large current flow, overheating, possible burns and even a breakdown.

6. **Do not store and use the tool and battery cartridge in locations where the temperature may reach or exceed 50 °C (122 °F).**
7. **Do not incinerate the battery cartridge even if it is severely damaged or is completely worn out.** The battery cartridge can explode in a fire.
8. **Do not nail, cut, crush, throw, drop the battery cartridge, or hit against a hard object to the battery cartridge.** Such conduct may result in a fire, excessive heat, or explosion.
9. **Do not use a damaged battery.**
10. **The contained lithium-ion batteries are subject to the Dangerous Goods Legislation requirements.** For commercial transports e.g. by third parties, forwarding agents, special requirement on packaging and labeling must be observed. For preparation of the item being shipped, consulting an expert for hazardous material is required. Please also observe possibly more detailed national regulations.  
Tape or mask off open contacts and pack up the battery in such a manner that it cannot move around in the packaging.

11. When disposing the battery cartridge, remove it from the tool and dispose of it in a safe place. Follow your local regulations relating to disposal of battery.
12. Use the batteries only with the products specified by Makita. Installing the batteries to non-compliant products may result in a fire, excessive heat, explosion, or leak of electrolyte.
13. If the tool is not used for a long period of time, the battery must be removed from the tool.
14. During and after use, the battery cartridge may take on heat which can cause burns or low temperature burns. Pay attention to the handling of hot battery cartridges.
15. Do not touch the terminal of the tool immediately after use as it may get hot enough to cause burns.
16. Do not allow chips, dust, or soil stuck into the terminals, holes, and grooves of the battery cartridge. It may result in poor performance or breakdown of the tool or battery cartridge.
17. Unless the tool supports the use near high-voltage electrical power lines, do not use the battery cartridge near high-voltage electrical power lines. It may result in a malfunction or breakdown of the tool or battery cartridge.
18. Keep the battery away from children.

## SAVE THESE INSTRUCTIONS.

**CAUTION:** Only use genuine Makita batteries. Use of non-genuine Makita batteries, or batteries that have been altered, may result in the battery bursting causing fires, personal injury and damage. It will also void the Makita warranty for the Makita tool and charger.

## Tips for maintaining maximum battery life

1. Charge the battery cartridge before completely discharged. Always stop tool operation and charge the battery cartridge when you notice less tool power.
2. Never recharge a fully charged battery cartridge. Overcharging shortens the battery service life.
3. Charge the battery cartridge with room temperature at 10 °C - 40 °C (50 °F - 104 °F). Let a hot battery cartridge cool down before charging it.
4. When not using the battery cartridge, remove it from the tool or the charger.
5. Charge the battery cartridge if you do not use it for a long period (more than six months).

## FUNCTIONAL DESCRIPTION

**CAUTION:** Always be sure that the tool is switched off and the battery cartridge is removed before adjusting or checking function on the tool.

### Installing or removing battery cartridge

**CAUTION:** Always switch off the tool before installing or removing of the battery cartridge.

**CAUTION:** Hold the tool and the battery cartridge firmly when installing or removing battery cartridge. Failure to hold the tool and the battery cartridge firmly may cause them to slip off your hands and result in damage to the tool and battery cartridge and a personal injury.

► Fig.1: 1. Red indicator 2. Button 3. Battery cartridge

To remove the battery cartridge, slide it from the tool while sliding the button on the front of the cartridge.

To install the battery cartridge, align the tongue on the battery cartridge with the groove in the housing and slip it into place. Insert it all the way until it locks in place with a little click. If you can see the red indicator on the upper side of the button, it is not locked completely.

**CAUTION:** Always install the battery cartridge fully until the red indicator cannot be seen. If not, it may accidentally fall out of the tool, causing injury to you or someone around you.



















**CAUTION:** Do not install the battery cartridge forcibly. If the cartridge does not slide in easily, it is not being inserted correctly.

### Indicating the remaining battery capacity

Only for battery cartridges with the indicator

► Fig.2: 1. Indicator lamps 2. Check button

Press the check button on the battery cartridge to indicate the remaining battery capacity. The indicator lamps light up for a few seconds.

Indicator lamps			Remaining capacity
 Lighted	 Off	 Blinking	
			75% to 100%
			50% to 75%
			25% to 50%
			0% to 25%
			Charge the battery.
 	 	 	The battery may have malfunctioned.

**NOTE:** Depending on the conditions of use and the ambient temperature, the indication may differ slightly from the actual capacity.

**NOTE:** The first (far left) indicator lamp will blink when the battery protection system works.

## Tool / battery protection system

The tool is equipped with a tool/battery protection system. This system automatically cuts off power to the motor to extend tool and battery life. The tool will automatically stop during operation if the tool or battery is placed under one of the following conditions:

### Overload protection

When the tool/battery is operated in a manner that causes it to draw an abnormally high current, the tool stops automatically. In this situation, turn the tool off and stop the application that caused the tool to become overloaded. Then turn the tool on to restart.

### Overheat protection

When the tool/battery is overheated, the tool stops automatically and the lamp will blink. In this situation, let the tool cool down before turning the tool on again.

### Overdischarge protection

When the battery capacity is not enough, the tool stops automatically. In this case, remove the battery from the tool and charge the battery.

## Switch action

**CAUTION:** Before installing the battery cartridge into the tool, always check to see that the switch trigger actuates properly and returns to the "OFF" position when released.

► **Fig.3:** 1. Switch trigger

To start the tool, pull the switch trigger. Tool speed is increased by increasing pressure on the switch trigger. Release the switch trigger to stop.

**NOTE:** The tool automatically stops if you keep pulling the switch trigger for about 6 minutes.

## Lighting up the front lamp

**CAUTION:** Do not look in the light or see the source of light directly.

► **Fig.4:** 1. Lamp

Pull the switch trigger to light up the lamp. The lamp keeps on lighting while the switch trigger is being pulled. The lamp goes out approximately 10 seconds after releasing the switch trigger.

**NOTE:** When the tool is overheated, the tool stops automatically and the lamp starts flashing. In this case, release the switch trigger. The lamp turns off in 1 minute(s).

**NOTE:** Use a dry cloth to wipe the dirt off the lens of the lamp. Be careful not to scratch the lens of lamp, or it may lower the illumination.

## Reversing switch action

**CAUTION:** Always check the direction of rotation before operation.

**CAUTION:** Use the reversing switch only after the tool comes to a complete stop. Changing the direction of rotation before the tool stops may damage the tool.

**CAUTION:** When not operating the tool, always set the reversing switch lever to the neutral position.

This tool has a reversing switch to change the direction of rotation. Depress the reversing switch lever from the A side for clockwise rotation or from the B side for counterclockwise rotation.

When the reversing switch lever is in the neutral position, the switch lever cannot be pulled.

► **Fig.5:** 1. Reversing switch lever

## Speed change

**NOTICE:** Use the speed change knob only after the tool comes to a complete stop. Changing the tool speed before the tool stops may damage the tool.

**NOTICE:** Always set the speed change knob carefully into the correct position. If you operate the tool with the speed change knob positioned halfway between the position 1 and the position 2, the tool may be damaged.

**NOTICE:** If the rotation speed significantly decreases during operation in the high speed mode, stop the tool and change the mode to the low speed mode. Otherwise, the motor may get overloaded and cause a malfunction or fire.

Two speed ranges can be preselected with the speed change knob.

To change the speed, turn the speed change knob so that the pointer points to the position 1 for low speed mode or the position 2 for high speed mode.

► **Fig.6:** 1. Pointer 2. Speed change knob

## Electronic function

### Electric brake

This tool is equipped with an electric brake. If the tool consistently fails to quickly cease to function after the switch trigger is released, have the tool serviced at a Makita service center.

### Soft start feature

This function allows the smooth start-up of the tool by limiting the start-up torque.

## ASSEMBLY

**CAUTION:** Always be sure that the tool is switched off and the battery cartridge is removed before carrying out any work on the tool.

### Installing side grip (auxiliary handle)

**CAUTION:** Always be sure that the side grip is installed securely before operation.

Screw the side grip on the tool securely. The side grip can be installed on either side of the tool, whichever is convenient.

► Fig.7: 1. Side grip

### Installing key holder

*(Country specific)*

**CAUTION:** Always be sure that the key holder is installed securely before operation.

Screw the key holder on the tool securely. Then place the chuck key in position.

► Fig.8: 1. Key holder 2. Screw 3. Chuck key

### Installing or removing drill bit

To install the drill bit, place it in the chuck as far as it will go. Tighten the chuck by hand. Place the chuck key in each of the three holes and tighten clockwise. Be sure to tighten all three chuck holes evenly.

To remove the drill bit, turn the chuck key counterclockwise in just one hole, then loosen the chuck by hand.

► Fig.9: 1. Chuck key

After use, return the chuck key to the key holder on the tool as illustrated.

► Fig.10: 1. Key holder

### Hook

**CAUTION:** Always remove the battery when hanging the tool with the hook.

**CAUTION:** Never hook the tool at high location or on potentially unstable surface.

The hook is convenient for temporarily hanging the tool. To use the hook, simply lift up hook until it snaps into the open position. When not in use, always lower hook until it snaps into the closed position.

► Fig.11: 1. Hook

► Fig.12

## Connecting lanyard (tether strap) to the hook

**CAUTION:** Do not use damaged hook and screws. Before use, always check for damages, cracks or deformations, and make sure that the screws are tightened.

**CAUTION:** Make sure that the hook is securely installed with the screws.

**CAUTION:** Do not install or remove any accessory while hanging the tool. The tool may fall if the screws are not tightened.

**CAUTION:** Always use a locking carabiner (multi-action and screw gate type) and be sure to attach the lanyard (tether strap) to the double looped portion of the hook. Improper attachment may cause tool drop from the hook and result in personal injury.

The hook is also used for connecting the lanyard (tether strap). Be sure to connect the lanyard (tether strap) to the double looped portion of the hook.

► Fig.13: 1. Double looped portion of the hook  
2. Lanyard (tether strap) 3. Locking carabiner (multi-action and screw gate type)

## OPERATION

**CAUTION:** Always insert the battery cartridge all the way until it locks in place. If you can see the red indicator on the upper side of the button, it is not locked completely. Insert it fully until the red indicator cannot be seen. If not, it may accidentally fall out of the tool, causing injury to you or someone around you.

**CAUTION:** When the speed comes down extremely, reduce the load or stop the tool to avoid the tool damage.

**CAUTION:** Hold the tool firmly when operating the tool.

### Holding tool

**CAUTION:** This is a powerful tool. High torque is developed and it is important that the tool should be securely held and properly braced.

Grasp the handle with one hand and the front handle with the other hand.

► Fig.14: 1. Front handle 2. Handle

### Drilling operation

#### Drilling in wood

When drilling in wood, the best results are obtained with wood drills equipped with a guide screw. The guide screw makes drilling easier by pulling the drill bit into the workpiece.



## Drilling in metal

To prevent the drill bit from slipping when starting a hole, make an indentation with a center-punch and hammer at the point to be drilled. Place the point of the drill bit in the indentation and start drilling. Use a cutting lubricant when drilling metals. The exceptions are iron and brass which should be drilled dry.

**⚠CAUTION:** Pressing excessively on the tool will not speed up the drilling. In fact, this excessive pressure will only serve to damage the tip of your drill bit, decrease the tool performance and shorten the service life of the tool.

**⚠CAUTION:** Hold the tool firmly and exert care when the drill bit begins to break through the workpiece. There is a tremendous force exerted on the tool/drill bit at the time of hole break through.

**⚠CAUTION:** A stuck drill bit can be removed simply by setting the reversing switch to reverse rotation in order to back out. However, the tool may back out abruptly if you do not hold it firmly.

**⚠CAUTION:** Always secure workpieces in a vise or similar hold-down device.

**⚠CAUTION:** Avoid drilling in material that you suspect contains hidden nails or other things that may cause the drill bit to bind or break.

**⚠CAUTION:** If the tool is operated continuously until the battery cartridge has discharged, allow the tool to rest for 15 minutes before proceeding with a fresh battery.

## Lanyard (tether strap) connection

**⚠Safety warnings specific for use at height**  
Read all safety warnings and instructions. Failure to follow the warnings and instructions may result in serious injury.

1. Always keep the tool tethered when working "at height". Maximum lanyard length is 2 m (6.5 ft). The maximum permissible fall height for lanyard (tether strap) must not exceed 2 m (6.5 ft).
2. Use only with lanyards appropriate for this tool type and rated for at least 5.0 kg (11.0 lbs).
3. Do not anchor the tool lanyard to anything on your body or on movable components. Anchor the tool lanyard to a rigid structure that can withstand the forces of a dropped tool.
4. Make sure the lanyard is properly secured at each end prior to use.
5. Inspect the tool and lanyard before each use for damage and proper function (including fabric and stitching). Do not use if damaged or not functioning properly.
6. Do not wrap lanyards around or allow them to come in contact with sharp or rough edges.
7. Fasten the other end of the lanyard outside the working area so that a falling tool is held securely.
8. Attach the lanyard so that the tool will move away from the operator if it falls. Dropped tools will swing on the lanyard, which could cause injury or loss of balance.

9. Do not use near moving parts or running machinery. Failure to do so may result in a crush or entanglement hazard.
10. Do not carry the tool by the attachment device or the lanyard.
11. Only transfer the tool between your hands while you are properly balanced.
12. Do not attach lanyards to the tool in a way that keeps guards, switches or lock-offs from operating properly.
13. Avoid getting tangled in the lanyard.
14. Keep lanyard away from the cutting area of the tool.
15. Use multi-action and screw gate type carabiners. Do not use single action spring clip carabiners.
16. In the event the tool is dropped, it must be tagged and removed from service, and should be inspected by a Makita Factory or Authorized Service Center.

## MAINTENANCE

**⚠CAUTION:** Always be sure that the tool is switched off and the battery cartridge is removed before attempting to perform inspection or maintenance.

**NOTICE:** Never use gasoline, benzine, thinner, alcohol or the like. Discoloration, deformation or cracks may result.

To maintain product SAFETY and RELIABILITY, repairs, any other maintenance or adjustment should be performed by Makita Authorized or Factory Service Centers, always using Makita replacement parts.

## OPTIONAL ACCESSORIES

**⚠CAUTION:** These accessories or attachments are recommended for use with your Makita tool specified in this manual. The use of any other accessories or attachments might present a risk of injury to persons. Only use accessory or attachment for its stated purpose.

If you need any assistance for more details regarding these accessories, ask your local Makita Service Center.

- Drill bits
- Makita genuine battery and charger

**NOTE:** Some items in the list may be included in the tool package as standard accessories. They may differ from country to country.

## DANE TECHNICZNE

<b>Model:</b>		<b>DDA450</b>	
Przekładnia		Wysoka	Niska
Zakresy wiercenia	Stal	13 mm	
	Drewno	Wiertło kręte: 38 mm Wiertło z samoczynnym posuwem: 50 mm Piła walcowa: 101 mm	Wiertło kręte: 38 mm Wiertło z samoczynnym posuwem: 65 mm Piła walcowa: 127 mm
Prędkość bez obciążenia		0–1 400 min <sup>-1</sup>	0–450 min <sup>-1</sup>
Całkowita długość (z akumulatorem BL1860B)		434 mm	
Napięcie znamionowe		Prąd stały 18 V	
Masa netto		3,2–3,5 kg	

- W związku ze stale prowadzonym przez naszą firmę programem badawczo-rozwojowym niniejsze dane mogą ulec zmianom bez wcześniejszego powiadomienia.
- Dane techniczne mogą różnić się w zależności od kraju.
- Masa może być różna w zależności od osprzętu, w tym akumulatora. W tabeli przedstawiona jest najlżejsza i najcięższa konfiguracja, zgodnie z procedurą EPTA 01/2014.

## Kompatybilne akumulatory i ładowarki

Akumulator	BL1815N / BL1820B / BL1830B / BL1840B / BL1850B / BL1860B
Ładowarka	DC18RC / DC18RD / DC18RE / DC18SD / DC18SE / DC18SF / DC18SH

- Pewne z wymienionych powyżej akumulatorów i ładowarek mogą być niedostępne w regionie zamieszkania użytkownika.

**⚠ OSTRZEŻENIE:** Należy używać wyłącznie akumulatorów i ładowarek wymienionych powyżej. Używanie innych akumulatorów i ładowarek może stwarzać ryzyko wystąpienia obrażeń ciała lub pożaru.

## Przeznaczenie

Narzędzie jest przeznaczone do wiercenia w drewnie, metalu i tworzywach sztucznych.

## Hałas

Typowy równoważny poziom dźwięku A określony w oparciu o normę EN62841-2-1:

Poziom ciśnienia akustycznego ( $L_{pA}$ ): 83 dB(A)

Poziom mocy akustycznej ( $L_{WA}$ ): 94 dB(A)

Niepewność (K): 3 dB(A)

**WSKAZÓWKA:** Deklarowana wartość emisji hałasu została zmierzona zgodnie ze standardową metodą testową i można ją wykorzystać do porównywania narzędzi.

**WSKAZÓWKA:** Deklarowaną wartość emisji hałasu można także wykorzystać we wstępnej ocenie narażenia.

**⚠ OSTRZEŻENIE:** Nosić ochronniki słuchu.

**⚠ OSTRZEŻENIE:** Poziom hałasu wytwarzanego podczas rzeczywistego użytkowania elektronarzędzia może się różnić od wartości deklarowanej w zależności od sposobu użytkowania narzędzia, a w szczególności od rodzaju obrabianego elementu.

**⚠ OSTRZEŻENIE:** W oparciu o szacowane narażenie w rzeczywistych warunkach użytkowania należy określić środki bezpieczeństwa w celu zapewnienia ochrony operatora (uwzględniając wszystkie elementy cyklu działania, tj. czas, kiedy narzędzie jest włączone i kiedy pracuje na biegu jałowym, a także czas, kiedy jest włączone).

## Drgania

Całkowita wartość poziomu drgań (suma wektorów w 3 osiach) określona zgodnie z normą EN62841-2-1:

Tryb pracy: wiercenie w metalu

Emisja drgań ( $a_{h,D}$ ): 2,5 m/s<sup>2</sup> lub mniej

Niepewność (K): 1,5 m/s<sup>2</sup>

**WSKAZÓWKA:** Deklarowana wartość poziomu drgań została zmierzona zgodnie ze standardową metodą testową i można ją wykorzystać do porównywania narzędzi.

**WSKAZÓWKA:** Deklarowaną wartość poziomu drgań można także wykorzystać we wstępnej ocenie narażenia.

**⚠️ OSTRZEŻENIE:** Drgania wytwarzane podczas rzeczywistego użytkowania elektronarzędzia mogą się różnić od wartości deklarowanej w zależności od sposobu użytkowania narzędzia, a w szczególności od rodzaju obrabianego elementu.

**⚠️ OSTRZEŻENIE:** W oparciu o szacowane narażenie w rzeczywistych warunkach użytkowania należy określić środki bezpieczeństwa w celu zapewnienia ochrony operatora (uwzględniając wszystkie elementy cyklu działania, tj. czas, kiedy narzędzie jest wyłączone i kiedy pracuje na biegu jałowym, a także czas, kiedy jest włączone).

## Deklaracja zgodności WE

### Dotyczy tylko krajów europejskich

Deklaracja zgodności WE jest dołączona jako załącznik A do niniejszej instrukcji obsługi.

# OSTRZEŻENIA DOTYCZĄCE BEZPIECZEŃSTWA

## Ogólne zasady bezpiecznej eksploatacji elektronarzędzi

**⚠️ OSTRZEŻENIE:** Należy zapoznać się z ostrzeżeniami dotyczącymi bezpieczeństwa, instrukcjami, ilustracjami i danymi technicznymi dołączonymi do tego elektronarzędzia. Niezastosowanie się do podanych poniżej instrukcji może prowadzić do porażenia prądem, pożaru i/lub poważnych obrażeń ciała.

## Wszystkie ostrzeżenia i instrukcje należy zachować do wykorzystania w przyszłości.

Pojęcie „elektonarzędzie”, występujące w wymienionych tu ostrzeżeniach, odnosi się do elektronarzędzia zasilanego z sieci elektrycznej (z przewodem zasilającym) lub do elektronarzędzia akumulatorowego (bez przewodu zasilającego).

## Ostrzeżenia dotyczące bezpieczeństwa dla wiertarki akumulatorowej

### Instrukcje bezpieczeństwa dotyczące wszystkich wykonywanych prac

1. **Używać uchwytu pomocniczego lub uchwytów pomocniczych.** Utrata kontroli może spowodować obrażenia ciała.
2. **Podczas wykonywania prac, przy których osprzęt tnący może zetknąć się z niewidoczną instalacją elektryczną, trzymać elektronarzędzie za izolowane powierzchnie rękojeści.** Zetknięcie osprzętu tnącego z przewodem elektrycznym znajdującym się pod napięciem może spowodować, że odsłonięte elementy metalowe elektronarzędzia również znajdą się pod napięciem, grożąc porażeniem operatora prądem elektrycznym.

3. **Podczas pracy należy zadbać o dobre oparcie dla nóg.** W przypadku pracy na pewnej wysokości upewnij się, że na dole nie przebywają żadne osoby.
4. **Narzędzie należy trzymać mocno i pewnie.**
5. **Trzymać ręce z dala od części obrotowych.**
6. **Nie pozostawiać włączonego narzędzia.** Narzędzie można uruchomić tylko, gdy jest trzymane w rękach.
7. **Nie dotykać wiertła ani części obrabianej od razu po zakończeniu danej operacji;** mogą one być bardzo gorące i spowodować oparzenie skóry.
8. **Niektóre materiały zawierają substancje chemiczne, które mogą być toksyczne. Unikaj wdychania pyłu i kontaktu ze skórą. Przestrzegaj przepisów bezpieczeństwa podanych przez dostawcę materiałów.**
9. **Jeśli wiertło nie chce się poluzować po otwarciu szczęk, należy wyjąć je kombinerkami.** Wyciąganie wiertła ręką w takim przypadku może spowodować skaleczenie z powodu ostrych krawędzi.
10. **W przypadku zauważenia nieprawidłowej pracy narzędzia, na przykład wydawania przez narzędzie nietypowych dźwięków, należy natychmiast przerwać pracę i zlecić naprawę urządzenia w lokalnym punkcie serwisowym Makita.**
11. **Przed rozpoczęciem pracy należy upewnić się, że w podłożu nie ma ukrytych obiektów, takich jak na przykład przewody elektryczne, instalacja wodna lub gazowa.** W przeciwnym razie może dojść do kontaktu narzędzia z takimi obiektami, skutkującego porażeniem elektrycznym, upływem prądu lub wyciekami gazu.

### Instrukcje bezpieczeństwa dotyczące używania długich wiertel

1. **Nigdy nie należy ustawiać prędkości wyższej niż maksymalna prędkość określona dla danego wiertła.** Przy wyższych prędkościach wiertło obracające się swobodnie bez kontaktu z obrabianym elementem może ulec wygięciu, co może prowadzić do obrażeń ciała.
2. **Wiercenie należy zawsze rozpoczynać od niskiej prędkości oraz z końcówką wiertła stykającą się z obrabianym elementem.** Przy wyższych prędkościach wiertło obracające się swobodnie bez kontaktu z obrabianym elementem może ulec wygięciu, co może prowadzić do obrażeń ciała.
3. **Należy stosować nacisk wyłącznie bezpośrednio w jednej linii z wiertłem i unikać wywierania nadmiernego nacisku.** Wiertło może się wygiąć, powodując uszkodzenie lub utratę kontroli, co może prowadzić do obrażeń ciała.

## ZACHOWAĆ NINIEJSZĄ INSTRUKCJĘ.

**⚠️ OSTRZEŻENIE:** NIE WOLNO pozwolić, aby wygoda lub rutyna (nabyta w wyniku wielokrotnego używania urządzenia) zastąpiły ściśle przestrzeganie zasad bezpieczeństwa obsługi. **NIEWŁAŚCIWE UŻYTKOWANIE** narzędzia lub niestosowanie się do zasad bezpieczeństwa podanych w niniejszej instrukcji obsługi może prowadzić do poważnych obrażeń ciała.

## Ważne zasady bezpieczeństwa dotyczące akumulatora

1. Przed użyciem akumulatora zapoznać się ze wszystkimi instrukcjami i znakami ostrzegawczymi na (1) ładowarce, (2) akumulatorze i (3) produkcie, w którym będzie używany akumulator.
2. Nie rozmontowywać ani modyfikować akumulatora. Może to spowodować pożar, przegrzanie lub wybuch.
3. Jeśli czas działania uległ znacznemu skróceniu, należy natychmiast przerwać pracę. Może bowiem dojść do przegrzania, ewentualnych poparzeń, a nawet eksplozji.
4. W przypadku przedostania się elektrolitu do oczu, przemyć je czystą wodą i niezwłocznie uzyskać pomoc lekarską. Może on bowiem spowodować utratę wzroku.
5. Nie doprowadzać do zwarcia akumulatora:
  - (1) Nie dotykać styków materiałami przewodzącymi prąd.
  - (2) Unikać przechowywania akumulatora w pojemniku z metalowymi przedmiotami, takimi jak gwoździe, monety itp.
  - (3) Chronić akumulator przed deszczem lub wodą.Zwarcie prowadzi do przepływu prądu elektrycznego o dużym natężeniu i przegrzania akumulatora, co w konsekwencji może grozić poparzeniami a nawet awarią urządzenia.
6. Narzędzia i akumulatora nie wolno przechowywać ani używać w miejscach, w których temperatura osiąga bądź przekracza 50°C (122°F).
7. Akumulatorów nie wolno spalać, również tych poważnie uszkodzonych lub całkowicie zużytych. Akumulator może eksplodować w ogniu.
8. Nie należy przecinać ani zginać akumulatora, wbijać w niego gwoździ, rzucać nim, upuszczać, ani uderzać akumulatorem o twarde obiekty. Takie działanie może spowodować pożar, przegrzanie lub wybuch.
9. Nie wolno używać uszkodzonego akumulatora.
10. Stanowiące wyposażenie akumulatory litowo-jonowe podlegają przepisom dotyczącym produktów niebezpiecznych.

Na potrzeby transportu komercyjnego, np. świadczonych przez firmy trzecie czy spedycyjne, należy przestrzegać specjalnych wymagań w zakresie pakowania i oznaczania etykietami. Przygotowanie produktu do wysyłki wymaga skonsultowania się ze specjalistą ds. materiałów niebezpiecznych. Należy także przestrzegać przepisów krajowych, które mogą być bardziej szczegółowe. Zakleić taśmą lub zaślepić otwarte styki akumulatora oraz zabezpieczyć go, aby nie mógł się przesuwać w opakowaniu.
11. Jeśli znajdzie konieczność utylizacji akumulatora, należy wyjąć go z narzędzia i przekazać w bezpieczne miejsce. Postępować zgodnie z przepisami lokalnymi dotyczącymi utylizacji akumulatorów.
12. Używać akumulatorów tylko z produktami określonymi przez firmę Makita. Zastosowanie akumulatorów w niezgodnych produktach może spowodować pożar, przegrzanie, wybuch lub wyciek elektrolitu.
13. Jeśli narzędzie nie będzie używane przez dłuższy czas, należy wyjąć z niego akumulator.
14. Przed użyciem akumulatora i po jego użyciu akumulator może pozostawać nagrzwany, co może spowodować poparzenia lub poparzenia w niskiej temperaturze. Z gorącym akumulatorem należy obchodzić się ostrożnie.
15. Nie należy dotykać styku narzędzia bezpośrednio po jego użyciu, ponieważ może on być na tyle gorący, że spowoduje oparzenia.
16. Nie należy dopuszczać, aby wióry, kurz lub błoto gromadziły się na stykach, w otworach i rowkach akumulatora. Może to spowodować obniżenie wydajności lub uszkodzenie narzędzia lub akumulatora.
17. Jeśli narzędzie nie jest przeznaczone do użytku w pobliżu linii wysokiego napięcia, nie należy korzystać z akumulatora w ich sąsiedztwie. Może to spowodować nieprawidłowości w działaniu lub uszkodzenie narzędzia lub akumulatora.
18. Przechowywać akumulator w miejscu niedostępnym dla dzieci.

## ZACHOWAĆ NINIEJSZE INSTRUKCJE.

**▲PRZESTROGA:** Używać wyłącznie oryginalnych akumulatorów firmy Makita. Używanie nieoryginalnych akumulatorów firm innych niż Makita lub akumulatorów, które zostały zmodyfikowane, może spowodować wybuch akumulatora i pożar, obrażenia ciała oraz zniszczenie mienia. Stanowi to również naruszenie warunków gwarancji firmy Makita dotyczących narzędzia i ładowarki.

## Wskazówki dotyczące zachowania maksymalnej trwałości akumulatora

1. Akumulator należy naładować zanim zostanie do końca rozładowany. Po zauważeniu spadku mocy narzędzia należy przerwać pracę i naładować akumulator.
2. Nie wolno ładować powtórnie w pełni naładowanego akumulatora. Przeładowanie akumulatora skraca jego trwałość.
3. Akumulator należy ładować w temperaturze pokojowej w przedziale 10–40°C (50–104°F). W przypadku gorącego akumulatora przed przystąpieniem do ładowania należy poczekać, aż ostygnie.
4. Jeśli akumulator nie jest używany, należy go wyjąć z narzędzia lub ładowarki.
5. Akumulatory niklowo-wodorkowe należy naładować po okresie długiego nieużytkowania (dłuższego niż sześć miesięcy).

# OPIS DZIAŁANIA

**⚠ PRZESTROGA:** Przed przystąpieniem do regulacji lub przeglądu narzędzia upewnić się, że jest ono wyłączone, a akumulator został wyjęty.

## Wkładanie i wyjmowanie akumulatora

**⚠ PRZESTROGA:** Przed włożeniem lub wyjęciem akumulatora należy zawsze wyłączyć narzędzie.

**⚠ PRZESTROGA:** Podczas wkładania lub wyjmowania akumulatora należy mocno trzymać narzędzie i akumulator. W przeciwnym razie mogą się one wyslizgnąć z rąk, powodując uszkodzenie narzędzia lub akumulatora i obrażenia ciała.

► **Rys.1:** 1. Czerwony wskaźnik 2. Przycisk 3. Akumulator

Aby wyjąć akumulator, przesunąć przycisk znajdujący się w przedniej jego części i wysunąć akumulator.

Aby włożyć akumulator, wyrównaj występ na akumulatorze z rowkiem w obudowie i wsunąć go na swoje miejsce. Akumulator należy wsunąć do oporu, aż się zatrzaśnie na miejscu, co jest sygnalizowane delikatnym kliknięciem. Jeśli w górnej części przycisku jest widoczny czerwony wskaźnik, akumulator nie został całkowicie zatrzaśnięty.

**⚠ PRZESTROGA:** Akumulator należy włożyć do końca, tak aby czerwony wskaźnik nie był widoczny. W przeciwnym razie może przypadkowo wypaść z narzędzia, powodując obrażenia operatora lub osób postronnych.



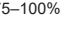


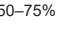








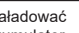




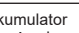

**⚠ PRZESTROGA:** Nie wkładać akumulatora na siłę. Jeśli akumulator nie daje się swobodnie wsunąć, oznacza to, że został włożony nieprawidłowo.

## Wskazanie stanu naładowania akumulatora

Tylko w przypadku akumulatorów ze wskaźnikiem

► **Rys.2:** 1. Lampki wskaźnika 2. Przycisk kontrolny

Nacisnąć przycisk kontrolny na akumulatorze w celu wyświetlenia stanu naładowania akumulatora. Lampki wskaźnika zaświecą się przez kilka sekund.

Lampki wskaźnika			Pozostała energia akumulatora
Świeci się	Wyłączony	Miga	
			75–100%
			50–75%
			25–50%
			0–25%
			Naładować akumulator.
 	 	 	Akumulator może nie działać poprawnie.

**WSKAZÓWKA:** Zależnie od warunków użytkowania i temperatury otoczenia, wskazywany poziom może nieznacznie się różnić od rzeczywistego stanu naładowania akumulatora.

**WSKAZÓWKA:** Pierwsza (skrajnie po lewej stronie) lampka wskaźnika miga, gdy układ zabezpieczenia akumulatora jest aktywny.

## Układ zabezpieczenia narzędzia/akumulatora

Narzędzie jest wyposażone w układ zabezpieczenia narzędzia/akumulatora. Układ automatycznie odcina zasilanie silnika w celu wydłużenia trwałości narzędzia i akumulatora. Narzędzie zostanie automatycznie zatrzymane podczas pracy w następujących sytuacjach związanych z narzędziem lub akumulatorem:

### Zabezpieczenie przed przecięciem

W przypadku użytkowania narzędzia/akumulatora w sposób powodujący nadmiernie wysoki pobór prądu narzędzie zostanie automatycznie zatrzymane. W takiej sytuacji należy wyłączyć narzędzie i zaprzestać wykonywania czynności powodującej przecięcie narzędzia. Następnie należy włączyć narzędzie w celu jego ponownego uruchomienia.

### Zabezpieczenie przed przegrzaniem

W przypadku przegrzania narzędzia/akumulatora narzędzie zostanie automatycznie zatrzymane i zacznie migać lampka. W takiej sytuacji przed ponownym włączeniem należy poczekać, aż narzędzie ostygnie.

### Zabezpieczenie przed nadmiernym rozładowaniem

Gdy stan naładowania akumulatora stanie się zbyt niski, narzędzie zostanie automatycznie zatrzymane. W takiej sytuacji należy wyjąć akumulator z narzędzia i naładować go.

## Działanie przełącznika

**⚠ PRZESTROGA:** Przed włożeniem akumulatora do narzędzia należy zawsze sprawdzić, czy spust przełącznika działa prawidłowo i czy powraca do położenia wyłączenia po jego zwolnieniu.

► **Rys.3:** 1. Spust przełącznika

Aby uruchomić narzędzie, należy pociągnąć spust przełącznika. Prędkość narzędzia zwiększa się wraz ze zwiększaniem nacisku na spust przełącznika. W celu zatrzymania urządzenia zwolnić spust przełącznika.

**WSKAZÓWKA:** Narzędzie zatrzyma się automatycznie, gdy spust przełącznika pozostanie wciśnięty przez około 6 min.

## Włączanie lampki czołowej

**⚠ PRZESTROGA:** Nie patrzeć na światło ani bezpośrednio na źródło światła.

► **Rys.4:** 1. Lampka

W celu włączenia lampki należy pociągnąć za spust przełącznika. Lampka świeci, dopóki spust przełącznika jest naciskany. Lampka wyłącza się po około 10 s od zwolnienia spustu przełącznika.

**WSKAZÓWKA:** W przypadku przegrzania narzędzie automatycznie się wyłączy i zacznie migać lampka. W takiej sytuacji należy zwolnić spust przełącznika. Lampka wyłączy się po upływie 1 minuty.

**WSKAZÓWKA:** Aby usunąć zabrudzenia z klosza lampki, należy użyć suchej szmatki. Uważać, aby nie zarysować klosza lampki, gdyż może to zmniejszyć natężenie oświetlenia.

## Działanie przełącznika zmiany kierunku obrotów

**⚠ PRZESTROGA:** Przed przystąpieniem do pracy należy zawsze sprawdzić ustawiony kierunek obrotów.

**⚠ PRZESTROGA:** Przełącznika zmiany kierunku obrotów można użyć tylko po całkowitym zatrzymaniu narzędzia. Zmiana kierunku obrotów przed zatrzymaniem się narzędzia grozi jego uszkodzeniem.

**⚠ PRZESTROGA:** Gdy narzędzie nie jest używane, należy zawsze ustawić dźwignię przełącznika zmiany kierunku obrotów w położeniu neutralnym.

Omawiane narzędzie jest wyposażone w przełącznik umożliwiający zmianę kierunku obrotów. W celu uzyskania obrotów w prawą stronę należy wcisnąć dźwignię przełącznika zmiany kierunku obrotów po stronie A, natomiast aby uzyskać obroty w lewą stronę, należy wcisnąć dźwignię przełącznika po stronie B. Gdy dźwignia przełącznika obrotów wstecznych znajduje się w położeniu neutralnym, spust przełącznika jest zablokowany.

► **Rys.5:** 1. Dźwignia przełącznika zmiany kierunku obrotów

## Zmiana prędkości

**UWAGA:** Przełącznika zmiany prędkości można użyć tylko po całkowitym zatrzymaniu narzędzia. Zmiana prędkości przed zatrzymaniem się narzędzia grozi jego uszkodzeniem.

**UWAGA:** Przełącznik zmiany prędkości należy zawsze ustawiać starannie w wybranej pozycji. W przypadku uruchomienia narzędzia przy przełączniku zmiany prędkości ustawionym w połowie między pozycją 1 a 2 może dojść do uszkodzenia narzędzia.

**UWAGA:** Jeśli podczas pracy w trybie wysokiej prędkości nastąpi znaczny spadek prędkości obrotowej, należy zatrzymać narzędzie i przełączyć na tryb niskiej prędkości. W przeciwnym razie może dojść do przeciążenia silnika, co może spowodować usterkę lub pożar.

Za pomocą przełącznika zmiany prędkości można wybrać jeden z dwóch zakresów prędkości obrotowej. Aby zmienić prędkość, należy obrócić przełącznik zmiany prędkości tak, aby wskaźnik wskazywał pozycję 1 oznaczającą tryb niskiej prędkości albo pozycję 2 oznaczającą tryb wysokiej prędkości.

► **Rys.6:** 1. Wskaźnik 2. Przełącznik zmiany prędkości

## Funkcja regulacji elektronicznej

### Hamulec elektryczny

Narzędzie jest wyposażone w hamulec elektryczny. Jeśli narzędzie często nie zatrzymuje się po zwolnieniu spustu przełącznika, należy zlecić naprawę narzędzia serwisowi firmy Makita.

### Funkcja łagodnego rozruchu

Ta funkcja umożliwia płynne uruchomienie narzędzia poprzez ograniczenie momentu obrotowego podczas rozruchu.

## MONTAŻ

**⚠ PRZESTROGA:** Przed przystąpieniem do prac konserwacyjnych przy narzędziu upewnić się, że jest ono wyłączone, a akumulator został wyjęty.

### Zakładanie uchwytu bocznego (pomocniczego)

**⚠ PRZESTROGA:** Przed uruchomieniem należy zawsze sprawdzić, czy uchwyt boczny jest dobrze zamontowany.

Przykręcić dobrze uchwyt boczny do narzędzia. Można go zamontować z jednej lub z drugiej strony narzędzia, aby ułatwić sobie pracę.

► **Rys.7:** 1. Uchwyt boczny

### Montaż gniazda na kluczyk

(W zależności od kraju)

**⚠ PRZESTROGA:** Przed rozpoczęciem pracy należy zawsze sprawdzić, czy gniazdo na kluczyk jest dobrze zamontowane.

Przykręcić dokładnie uchwyt na kluczyk do narzędzia. Następnie umieścić kluczyk do uchwytu wiertarskiego we właściwym położeniu.

► **Rys.8:** 1. Gniazdo na kluczyk 2. Śruba 3. Kluczyk do uchwytu wiertarskiego

### Wkładanie i wyjmowanie wiertła

W celu włożenia wiertła należy je wsunąć do oporu do uchwytu wiertarskiego. Dokręcić uchwyt ręcznie. Włożyć kluczyk do uchwytu wiertarskiego kolejno do każdego z trzech otworów i dokręcić w prawą stronę. Dokręcić równomiernie uchwyt we wszystkich trzech otworach.

Aby wyjąć wiertło, należy w jednym z otworów umieścić kluczyk i przekręcić go w lewo, a następnie poluzować uchwyt ręką.

► **Rys.9:** 1. Kluczyk do uchwytu wiertarskiego

Gdy kluczyk nie będzie już używany, należy umieścić go z powrotem w gnieździe na kluczyk w narzędziu, jak pokazano na rysunku.

► **Rys.10:** 1. Gniazdo na kluczyk



## Zaczep

**⚠ PRZESTROGA:** Przed zawieszeniem narzędzia za zaczep należy koniecznie wyjąć akumulator.

**⚠ PRZESTROGA:** Nie wolno wieszać narzędzia wysoko lub na potencjalnie niestabilnej powierzchni.

Zaczep służy do wygodnego, tymczasowego zawieszania narzędzia. Aby użyć zaczepu, należy po prostu unieść go w górę i przestawić w pozycję otwartą. Gdy zaczep nie jest używany, zawsze należy go opuścić i przestawić w pozycję zamkniętą.

► Rys.11: 1. Hak

► Rys.12

## Przyłączanie pasa asekuracyjnego (linki do mocowania) do zaczepu

**⚠ PRZESTROGA:** Zaczepu oraz śrub nie należy używać, jeśli są one uszkodzone. Przed użyciem zawsze należy sprawdzić uchwyt pod kątem uszkodzeń, pęknięć lub odkształceń oraz upewnić się, że śruby są dokręcone.

**⚠ PRZESTROGA:** Upewnić się, że zaczep jest prawidłowo zamocowany za pomocą śrub.

**⚠ PRZESTROGA:** Nie należy montować ani usuwać żadnych akcesoriów, jeśli narzędzie jest zawieszane. Jeśli wkrety nie będą dokręcone, narzędzie może spaść.

**⚠ PRZESTROGA:** Zawsze należy używać karabińczyka z blokadą (zakręcane go i z wielokrotnymi blokadami) i pamiętać, aby zamocować pas asekuracyjny (linkę do mocowania) do części zaczepu z podwójną pętlą. Nieprawidłowe zamocowanie może doprowadzić do wypadnięcia narzędzia z zaczepu i doprowadzić do obrażeń ciała.

Zaczep służy również do przyłączania pasa asekuracyjnego (linki do mocowania). Należy pamiętać, aby przymocować pas asekuracyjny (linkę do mocowania) do części zaczepu z podwójną pętlą.

► Rys.13: 1. Część zaczepu z podwójną pętlą  
2. Pas asekuracyjny (linka do mocowania)  
3. Karabińczyk z blokadą (zakręcany i z wielokrotnymi blokadami)

## OBSŁUGA

**⚠ PRZESTROGA:** Akumulator należy wsunąć do oporu, aż wskoczy na swoje miejsce. Jeśli jest widoczny czerwony wskaźnik w górnej części przyścisku, akumulator nie został całkowicie załadowany. Należy go wsunąć do oporu, aż czerwony wskaźnik przestanie być widoczny. W przeciwnym razie może on przypadkowo wypaść z narzędzia, powodując obrażenia operatora lub osób postronnych.

**⚠ PRZESTROGA:** W przypadku drastycznego spadku prędkości należy zredukować obciążenie lub wyłączyć narzędzie, aby nie dopuścić do jego uszkodzenia.

**⚠ PRZESTROGA:** Podczas pracy mocno trzymać narzędzie.

## Trzymanie narzędzia

**⚠ PRZESTROGA:** Narzędzie jest wyposażone w napęd o dużej mocy. Wytwarza wysoki moment obrotowy i ważne jest, aby je mocno trzymać i zaprzeć.

Trzymać uchwyt górny jedną ręką, a przedni — drugą.

► Rys.14: 1. Uchwyt przedni 2. Uchwyt górny

## Wiercenie

### Wiercenie w drewnie

W przypadku wiercenia w drewnie najlepsze rezultaty uzyskuje się, stosując wiertła zakończone wkretem prowadzącym. Wkręt prowadzący ułatwia wiercenie, ponieważ wciąga wiertło w element obrabiany.

### Wiercenie w metalu

Aby uniknąć ześlizgiwania się wiertła na początku operacji, należy za pomocą punktaka i młotka wykonać wgłębienie w miejscu, w którym ma być wykonany otwór. Umieścić końcówkę wiertła we wgłębieniu i rozpocząć wiercenie.

Podczas wiercenia w metalu należy stosować odpowiednie chłodziwo. Wyjątki stanowią żelazo i mosiądz, które należy wiercić na sucho.

**⚠ PRZESTROGA:** Wywieranie nadmiernego nacisku na narzędzie nie przyspiesza wiercenia.

W praktyce, wywieranie nadmiernego nacisku przyczynia się jedynie do uszkodzenia końcówki wiertła, zmniejszenia wydajności i skrócenia okresu eksploatacyjnego narzędzia.

**⚠ PRZESTROGA:** Gdy wiertło zaczyna przebijać na wylot otwór w obrabianym elemencie, należy zachować ostrożność i mocno trzymać narzędzie. W momencie przebijania otworu na narzędzie/wiertło wywierana jest olbrzymia siła.

**⚠ PRZESTROGA:** Zakleszczone wiertło można łatwo wyjąć, zmieniając kierunek obrotów i wyciągając wiertło. Należy jednak pamiętać, że narzędzie może się gwałtownie cofnąć, jeśli nie będzie mocno trzymane.

**⚠ PRZESTROGA:** Elementy obrabiane należy zawsze mocować w imadle lub podobnym uchwycie.

**⚠ PRZESTROGA:** Unikać wiercenia w materiałach, co do których podejrzewa się, że zawierają ukryte gwoździe lub inne przedmioty mogące spowodować zacięcie się lub złamanie wiertła.

**⚠ PRZESTROGA:** Jeśli narzędzie było używane bez przerwy aż do rozładowania akumulatora, należy je odstawić na 15 minut przed podjęciem pracy na nowo z użyciem innego, naładowanego akumulatora.

## Mocowanie pasa asekuracyjnego (linki do mocowania)

**⚠Ostrzeżenia dotyczące prac na wysokościach**  
Przeczytać wszystkie ostrzeżenia i instrukcje.  
Niezastosowanie się do wspomnianych ostrzeżeń i instrukcji może przyczynić się do poważnych obrażeń ciała.

1. Podczas prac na wysokościach narzędzie zawsze musi być zabezpieczone pasem asekuracyjnym. Maksymalna długość pasa asekuracyjnego wynosi 2 m (6,5 stopy). Maksymalna dopuszczalna wysokość opadania dla pasa asekuracyjnego (linki do mocowania) nie może przekraczać 2 m (6,5 stopy).
2. Należy używać wyłącznie pasów asekuracyjnych odpowiednich dla narzędzi tego typu o wadze co najmniej 5,0 kg (11,0 funta).
3. Pasa asekuracyjnego nie należy mocować na żadnej części ciała ani do żadnych przedmiotów ruchomych. Pas asekuracyjny należy zamocować do konstrukcji sztywnej, która wytrzyma działanie sił wywieranych przez upuszczone narzędzie.
4. Przed rozpoczęciem korzystania z narzędzia upewnić się, że pas asekuracyjny jest poprawnie zamocowany na obu końcach.
5. Każdorazowo przed użyciem sprawdzić narzędzie i pas asekuracyjny pod kątem uszkodzeń i prawidłowego działania (w tym tkaninę oraz szwy). W przypadku stwierdzenia uszkodzeń lub nieprawidłowego działania nie używać pasa lub narzędzia.
6. Nie owijaj pasa asekuracyjnego wokół przedmiotów o ostrych lub szorstkich krawędziach. Nie dopuszczać do kontaktu pasa z takimi przedmiotami.
7. Drugi koniec pasa asekuracyjnego zamocować poza obszarem roboczym, aby upadające narzędzie zostało bezpiecznie zatrzymane.
8. Pas asekuracyjny zamocować w taki sposób, aby upadające narzędzie poruszało się z dala od operatora. Upadające narzędzia będą się dala kołysać na pasie asekuracyjnym, co może spowodować obrażenia lub utratę równowagi.
9. Nie zbliżać się do poruszających się części ani uruchomionych narzędzi. Nieprzestrzeżenie tego zalecenia może spowodować zagrożenie związane z uderzeniem lub wciągnięciem przez poruszające się części.
10. Narzędzia nie należy przenosić, trzymając za element do mocowania pasa ani za pas asekuracyjny.
11. Narzędzie można przenosić wyłącznie oburącz, utrzymując równowagę ciała.
12. Nie mocować pasa asekuracyjnego na narzędziu w sposób, który uniemożliwi poprawne działanie osłon, przełączników albo blokad.
13. Zachować ostrożność, aby nie zaplątać się w pas asekuracyjny.
14. Pas asekuracyjny trzymać z dala od obszaru cięcia narzędziem.
15. Używać karabińczyków zakręcanych lub z wielokrotnymi blokadami. Nie używać karabińczyków sprężynowych samozamykających.
16. Jeśli narzędzie upadnie, należy je oznakować i wyłączyć z eksploatacji. Musi zostać sprawdzone w zakładzie produkcyjnym Makita lub autoryzowanym centrum serwisowym Makita.

## KONSERWACJA

**⚠PRZESTROGA:** Przed przystąpieniem do przeglądu narzędzia lub jego konserwacji upewnić się, że jest ono wyłączone, a akumulator wyjęty.

**UWAGA:** Nie stosować benzyny, rozpuszczalników, alkoholu itp. środków. Mogą one powodować odbarwienia, odkształcenia lub pęknięcia.

W celu zachowania odpowiedniego poziomu BEZPIECZENSTWA i NIEZAWODNOŚCI produktu wszelkie naprawy i różnego rodzaju prace konserwacyjne lub regulacje powinny być przeprowadzane przez autoryzowany lub fabryczny punkt serwisowy narzędzi Makita, zawsze z użyciem oryginalnych części zamiennych Makita.

## AKCESORIA OPCJONALNE

**⚠PRZESTROGA:** Zaleca się stosowanie wymiennych akcesoriów i przystawek razem z narzędziem Makita opisanym w niniejszej instrukcji. Stosowanie innych akcesoriów lub przystawek może być przyczyną obrażeń ciała. Akcesoria lub przystawki należy wykorzystywać tylko zgodnie z ich przeznaczeniem.

W razie potrzeby wszelkiej pomocy i szczegółowych informacji na temat niniejszych akcesoriów udzieli Państwu lokalne punkty serwisowe Makita.

- Wiertła
- Oryginalny akumulator i ładowarka firmy Makita

**WSKAZÓWKA:** Niektóre pozycje znajdujące się na liście mogą być dołączone do pakietu narzędziowego jako akcesoria standardowe. Mogą to być różne pozycje, w zależności od kraju.



## RÉSZLETES LEÍRÁS

<b>Típus:</b>		<b>DDA450</b>	
Forgási sebesség		Magas	Alacsony
Fúrási teljesítmény	Acél	13 mm	
	Fa	Fúrófej: 38 mm Koronafúró: 50 mm Lyukfűrész: 101 mm	Fúrófej: 38 mm Koronafúró: 65 mm Lyukfűrész: 127 mm
Üresjárat fordulatszám		0 - 1 400 min <sup>-1</sup>	0 - 450 min <sup>-1</sup>
Teljes hossz (BL1860B akkumulátorral)		434 mm	
Névleges feszültség		18 V, egyenáram	
Nettó tömeg		3,2 - 3,5 kg	

- Folyamatos kutató- és fejlesztőprogramunk eredményeként az itt felsorolt tulajdonságok figyelmeztetés nélkül megváltozhatnak.
- A tulajdonságok országról országra különbözhetnek.
- A súly a felszerelt tartozékoktól függően változhat, az akkumulátort is beleértve. Az EPTA 01/2014 eljárás szerint meghatározott legnehezebb, illetve legkönnyebb kombináció a táblázatban látható.

### Alkalmazható akkumulátorok és töltők

Akkumulátor	BL1815N / BL1820B / BL1830B / BL1840B / BL1850B / BL1860B
Töltő	DC18RC / DC18RD / DC18RE / DC18SD / DC18SE / DC18SF / DC18SH

- Lakóhelyétől függően előfordulhat, hogy a fent felsorolt akkumulátorok és töltők nem érhetők el.

**▲ FIGYELMEZTETÉS:** Csak a fentiekben felsorolt akkumulátorokat és töltőket használja. Bármilyen más akkumulátor vagy töltő használata sérüléseket és/vagy tüzet okozhat.

### Rendeltetés

A szerszám fa, fém és műanyag fúrására használható.

### Zaj

A tipikus A-súlyozású zajszint, az EN62841-2-1 szerint meghatározva:

Hangnyomásszint ( $L_{pA}$ ): 83 dB(A)

Hangteljesítményszint ( $L_{WA}$ ): 94 dB (A)

Bizonytalanság (K): 3 dB(A)

**MEGJEGYZÉS:** A zajkibocsátás értéke a szabványos vizsgálati eljárásnak megfelelően lett mérve, és segítségével az elektromos kéziszerszámok összehasonlíthatók egymással.

**MEGJEGYZÉS:** A zajkibocsátás értékének segítségével előzetesen megbecsülhető a rezgésnek való kitettség mértéke.

**▲ FIGYELMEZTETÉS:** Viseljen fülvédőt!

**▲ FIGYELMEZTETÉS:** A szerszám zajkibocsátása egy adott alkalmazásnál eltérhet a megadott értéktől a használat módjától, különösen a feldolgozott munkadarab fajtájától függően.

**▲ FIGYELMEZTETÉS:** Határozza meg a kezelő védelmét szolgáló munkavédelmi lépéseket, melyek az adott munkafeltételek melletti vibrációs hatás becslült mértékén alapulnak (figyelembe véve a munkaciklus elemeit, mint például a gép leállításának és üresjáratának mennyiségét az elindítások száma mellett).

### Vibráció

A vibráció teljes értéke (háromtengelyű vektorösszeg) az EN62841-2-1 szerint meghatározva:

Üzem mód: fúrás fémbe

Rezgéskibocsátás ( $a_{h,D}$ ): 2,5 m/s<sup>2</sup> vagy kisebb

Bizonytalanság (K): 1,5 m/s<sup>2</sup>

**MEGJEGYZÉS:** A rezgés teljes értéke a szabványos vizsgálati eljárásnak megfelelően lett mérve, és segítségével az elektromos kéziszerszámok összehasonlíthatók egymással.

**MEGJEGYZÉS:** A rezgés teljes értékének segítségével előzetesen megbecsülhető a rezgésnek való kitettség mértéke.

**▲ FIGYELMEZTETÉS:** A szerszám rezgéskibocsátása egy adott alkalmazásnál eltérhet a megadott értéktől a használat módjától, különösen a feldolgozott munkadarab fajtájától függően.

**▲ FIGYELMEZTETÉS:** Határozza meg a kezelő védelmét szolgáló munkavédelmi lépéseket, melyek az adott munkafeltételek melletti vibrációs hatás becslült mértékén alapulnak (figyelembe véve a munkaciklus elemeit, mint például a gép leállításának és üresjáratának mennyiségét az elindítások száma mellett).

### EK Megfelelőségi nyilatkozat

Csak európai országokra vonatkozóan

Az EK-megfelelőségi nyilatkozat az útmutató „A” mellékletében található.

# BIZTONSÁGI FIGYELMEZTETÉS

## A szerszámgépekre vonatkozó általános biztonsági figyelmeztetések

**▲ FIGYELMEZTETÉS:** Olvassa el a szerszámgéphez mellékelte összes biztonsági figyelmeztetést, utasítást, illusztrációt és a műszaki adatokat. A következőkben leírt utasítások figyelmen kívül hagyása elektromos áramütést, tüzet és/vagy súlyos sérülést eredményezhet.

## Őrizzen meg minden figyelmeztetést és utasítást a későbbi tájékozódás érdekében.

A figyelmeztetéseken szereplő "szerszámgép" kifejezés az Ön hálózatról (vezetékes) vagy akkumulátorról (vezeték nélküli) működtetett szerszámgépére vonatkozik.

## Az akkumulátoros sarokfűrészes vonatkozó biztonsági figyelmeztetések

Biztonsági utasítások minden művelethez

1. **Használja a kiegészítő fogantyú(k)at.** Az irányítás elvesztése személyi sérülést okozhat.
2. **A szerszámgépet a szigetelt markolási felületénél fogva tartsa, ha olyan műveletet végez, melynek során a vágóelem rejtett vezetékekbe ütközhet.** Áram alatt lévő vezetékkel való érintkezéskor a szerszám fém alkatrészei is áram alá kerülhetnek, és megrázhathják a kezelőt.
3. **Mindig stabil helyzetben dolgozzon. A szerszám magasban történő használatkor győződjön meg arról, hogy nem tartózkodik-e valaki odalent.**
4. **Biztosan tartsa a szerszámot.**
5. **Ne nyúljon a forgó részekhez.**
6. **Ne hagyja a működő szerszámot felügyelet nélkül. Csak kézben tartva használja a szerszámot.**
7. **Ne érintse meg a fűrészeget vagy a munkadarabot közvetlenül a művelet befejezése után; rendkívül forrók lehetnek és megégethetik.**
8. **Egyes anyagok mérgező vegyületet tartalmazhatnak. Gondoskodjon a por belélegzése elleni és érintés elleni védelemről. Tartsa be az anyag szállítójának biztonsági utasításait.**
9. **Ha a fűrészeget akkor se lehet kiláztatni, ha szétnyitja a pófákat, akkor fogóval húzza ki. Ebben az esetben a fűrészeget kézzel történő kihúzása sérülést okozhat az éles szélék miatt.**
10. **Ha valami gond van a szerszámmal, például rendellenes hangokat ad ki, állítsa le azonnal a használatát, és javításért forduljon a helyi Makita szervizközponthoz.**
11. **Használat előtt ellenőrizze, nincsenek-e rejtett tárgyak, mint például elektromos csövek, vízcsövek vagy gázcsövek a talajban. Máskülönbben a szerszám megérintheti azokat, és az áramütést, elektromos szivárgást vagy gázszivárgást okozhat.**

Biztonsági utasítások hosszú fűrészek használatához

1. **Soha ne működtesse nagyobb sebességen, mint a fűrészeget maximális sebességi besorolása.** Nagyobb sebességeknél a fűrészeget elhajolhat, ha engedik szabadon, a munkadarab érintése nélkül forogni, és ez személyi sérülést okozhat.
2. **Mindig kis sebességen kezdjen fűrészelni, és úgy, hogy a fűrészeget érintkezzen a munkadarabban.** Nagyobb sebességeknél a fűrészeget elhajolhat, ha engedik szabadon, a munkadarab érintése nélkül forogni, és ez személyi sérülést okozhat.
3. **Csak a fűrészeget egyenes vonalában alkalmazzon nyomást, és ne alkalmazzon túlzott nyomást.** A fűrészek elhajolhatnak, ezért eltérhetnek vagy elveszítheti az irányítást, és ez személyi sérülést okozhat.

## ŐRIZZE MEG EZEKET AZ UTASÍTÁSOKAT.

**▲ FIGYELMEZTETÉS:** NE HAGYJA, hogy a termék többszöri használatából eredő kényelem és megszokás váltsa fel a termék biztonsági előírásainak szigorú betartását. A **HELYTELEN HASZNÁLAT** és a használati útmutatóban szereplő biztonsági előírások megszegése súlyos személyi sérülésekhez vezethet.

## Fontos biztonsági utasítások az akkumulátorra vonatkozóan

1. **Az akkumulátor használata előtt tanulmányozza át az akkumulátortöltőt (1), az akkumulátoron (2) és az akkumulátorral működtetett terméken (3) olvasható összes utasítást és figyelmeztető jelzést.**
2. **Ne szerelje szét, és ne módosítsa az akkumulátort.** Tüzet, túlzott hőt vagy robbanást okozhat.
3. **Ha a működési idő nagyon lerövidült, azonnal hagyja abba a használatot. Ez a túlmelegedés, esetleges égések és akár robbanás veszélyével is járhat.**
4. **Ha elektrolit kerül a szemébe, mossa ki azt tiszta vízzel és azonnal kérjen orvosi segítséget. Ez a látásának elvesztését okozhatja.**
5. **Ne zárja rövidre az akkumulátort:**
  - (1) **Ne érjen az érintkezőkhöz elektromosan vezető anyagokkal.**
  - (2) **Ne tárolja az akkumulátort más fémtárgyakkal, mint pl. szegekkel, érmékkel, stb. egy helyen.**
  - (3) **Ne tegye ki az akkumulátort víznek vagy esőnek.**
6. **Az akkumulátor rövidzárlata nagy áramerősséget, túlmelegedést, égéseket, sőt akár meghibásodást is okozhat.**
7. **Ne tárolja és használja a szerszámot vagy az akkumulátort olyan helyen, ahol a hőmérséklet elérheti vagy meghaladhatja az 50 °C-t (122 °F).**
7. **Ne égesse el az akkumulátort még akkor sem, ha az komolyan megsérült vagy teljesen elhasználódott. Az akkumulátor a tűzben felrobbanhat.**
8. **Ne szúrja meg, ne vágja meg, ne törje össze, ne dobja el és ne ejtse le az akkumulátort, illetve ne üsse hozzá kemény tárgyhoz. Az ilyen magartás tüzet, túlzott hőt vagy robbanást okozhat.**
9. **Ne használjon sérült akkumulátort.**

- A készülékben található lítium-ion akkumulátorokra a veszélyes árukkal kapcsolatos előírások vonatkoznak. A termék pl. harmadik felek, fuvarozó cégek stb. által történő szállítása esetén minden esetben tartsa szem előtt a csomagoláson és a címkén található speciális követelményeket. A termék szállításra történő felkészítése esetén vegye fel a kapcsolatot egy veszélyes anyagokkal foglalkozó szakemberrel. Kérjük, hogy az esetlegesen szigorúbb nemzeti előírásokat is vegye figyelembe. Ragassza le a kiálló érintkezőket, illetve oly módon csomagolja be az akkumulátort, hogy az ne tudjon elmozdulni a csomagolásban.
- Az akkumulátor ártalmatlanításakor vegye ki azt a szerszámból, és ártalmatlanítsa egy biztonságos helyen. Az akkumulátor ártalmatlanításakor tartsa be a helyi előírásokat.**
- Az akkumulátorokat csak a Makita által megjelölt termékekhez használja.** Ha az akkumulátorokat azokkal nem kompatibilis termékekbe helyezi, az tűzhöz, túlmelegedéshez, robbanáshoz vagy elektrolitszivárgáshoz vezethet.
- Ha a szerszám hosszabb ideig nincs használatban, az akkumulátort ki kell venni a szerszámból.**
- Használat közben és után az akkumulátor felforrósodhat, ami égési sérülést vagy alacsony hőmérsékletű égési sérülést okozhat. Figyeljen oda a forró akkumulátor kezelésére.**
- Ne érintse meg közvetlenül a szerszám érintkezőjét, mert elég forró lehet ahhoz, hogy égési sérüléseket okozzon.
- Ne engedje, hogy forgács, por vagy sár tapadjon az akkumulátor érintkezőire, lyukaiba és hornyába. Az a szerszám vagy az akkumulátor gyenge teljesítményét vagy meghibásodását okozhatja.
- Hacsak a szerszám nem támogatja a nagyfeszültségű elektromos vezetékek közelében történő használatot, ne használja az akkumulátort nagyfeszültségű elektromos vezetékek közelében. Az a szerszám vagy az akkumulátor hibás működését vagy meghibásodását okozhatja.
- Tartsa távol a gyermekektől az akkumulátort.

## ŐRIZZE MEG EZEKET AZ UTASÍTÁSOKAT.

**⚠ VIGYÁZAT:** Csak eredeti Makita akkumulátorokat használjon. A nem eredeti Makita akkumulátorok vagy módosított akkumulátorok használata esetén az akkumulátor felrobbanhat, ami tüzet, személyi sérülést és anyagi kárt okozhat. A Makita szerszámra és töltőre vonatkozó Makita garanciát is érvénytelenítheti.

## Tipppek az akkumulátor maximális élettartamának eléréséhez

- Töltse fel az akkumulátort, mielőtt teljesen lemerülne. Állítsa le a gépet, és töltse fel az akkumulátort, ha a gép erejének csökkenését észleli.
- Soha ne töltse újra a teljesen feltöltött akkumulátort. A túltöltés csökkenti az akkumulátor élettartamát.
- Töltse az akkumulátort szobahőmérsékleten, 10 °C - 40 °C (50 °F - 104 °F) között. Töltés előtt hagyja lehűlni a fölforrósodott akkumulátort.
- Ha nem használja az akkumulátort, vegye ki a szerszámból vagy a töltőből.
- Töltse fel az akkumulátort, ha hosszabb ideje (több mint hat hónapja) nem használta azt.

## A MŰKÖDÉS LEÍRÁSA

**⚠ VIGYÁZAT:** Minden esetben ellenőrizze, hogy a szerszám ki van kapcsolva és az akkumulátor eltávolításra került mielőtt beállít vagy ellenőriz valamilyen funkciót a szerszámon.

### Az akkumulátor behelyezése és eltávolítása

**⚠ VIGYÁZAT:** Mindig kapcsolja ki az eszközt, mielőtt behelyezi vagy eltávolítja az akkumulátort.

**⚠ VIGYÁZAT:** Az akkumulátor behelyezésekor vagy eltávolításakor erősen fogja meg a szerszámot és az akkumulátort. Ha nem fogja erősen a szerszámot és az akkumulátort, azok kicsúszhatnak a kezei közül, ami a szerszám és az akkumulátor károsodásához, de akár személyi sérüléshez is vezethet.

▶ **Ábra1:** 1. Piros jel 2. Gomb 3. Akkumulátor

Az akkumulátoregység kivételéhez nyomja be az akkumulátoregység elején található gombot, és húzza le a gépről.

Az akkumulátor beszereléséhez illesse az akkumulátor nyelvét a burkolaton található vajatba és csúsztassa a helyére. Egészen addig tolja be, amíg az akkumulátor egy kis kattánással a helyére nem ugrik. Ha látható a piros jel a gomb felső oldalán, akkor a gomb nem kattant be teljesen.

**⚠ VIGYÁZAT:** Mindig tolja be teljesen az akkumulátort, amíg a piros jel el nem tűnik. Ha ez nem történik meg, akkor az akkumulátor kieshet a szerszámból, és Önnek vagy a környezetének másnak sérülést okozhat.

**⚠ VIGYÁZAT:** Ne erőltesse az akkumulátort behelyezésre. Ha az akkumulátor nem csúszik be könnyedén, akkor nem megfelelően lett behelyezve.

### Az akkumulátor töltöttségének jelzése

**Csak állapotjelzős akkumulátorok esetén**

▶ **Ábra2:** 1. Jelzőlámpák 2. Check (ellenőrzés) gomb

Nyomja meg az ellenőrzőgombot, hogy az akkumulátortöltöttség-jelző megmutassa a hátralévő akkumulátor-kapacitást. Ekkor a töltöttségjelző lámpák néhány másodpercre kigyulladnak.

Jelzőlámpák			Töltöttségi szint
Világító lámpa	KI	Villogó lámpa	
■ ■ ■ ■	□	▬	75%-tól 100%-ig
■ ■ ■ □	□	▬	50%-tól 75%-ig
■ ■ □ □	□	▬	25%-tól 50%-ig
■ □ □ □	□	▬	0%-tól 25%-ig
▬ □ □ □	□	▬	Töltse fel az akkumulátort.
■ ■ □ □	□	▬	Lehetséges, hogy az akkumulátor meghibásodott.
□ □ ■ ■	□	▬	

**MEGJEGYZÉS:** Az adott munkafeltételektől és a környezet hőmérsékletétől függően a jelzett töltöttségi szint némileg eltérhet a tényleges töltöttségi szinttől.

**MEGJEGYZÉS:** Az első (bal oldali szélső) jelzőlámpa villog, ha az akkumulátorvédő rendszer működik.

## Szerszám-/akkumulátorvédő rendszer

A gép szerzám-/akkumulátorvédő rendszerrel van felszerelve. A rendszer automatikusan kikapcsolja a motor áramellátását, így megnöveli a szerzám és az akkumulátor élettartamát. A gép használat közben automatikusan leáll, ha a szerzám vagy az akkumulátor a következő állapotok valamelyikébe kerül:

## Túlterhelésvédelem

Ha a szerzámot/akkumulátort úgy használják, hogy az rendellenesen nagy áramot vesz fel, a szerzám automatikusan leáll. Ilyenkor kapcsolja ki a gépet, és fejezz be azt a műveletet, amelyik a túlterhelést okozza. A munka újratekésítéséhez kapcsolja be a gépet.

## Túlmelegedés elleni védelem

Ha a szerzám/akkumulátor túlmelegszik, akkor a szerzám automatikusan leáll, és a lámpa villogni kezd. Ilyenkor hagyja lehűlni a szerzámot, mielőtt ismét bekapcsolná.

## Mélykisütés elleni védelem

Amikor az akkumulátor kapacitása már alacsony, a gép automatikusan leáll. Ebben az esetben távolítsa el az akkumulátort a szerzámából és tölts fel.

## A kapcsoló használata

**⚠ VIGYÁZAT:** Mielőtt behelyezi az akkumulátort a szerzámába, mindig ellenőrizze, hogy a kapcsológomb hibátlanul működik és felengedéskor „OFF” állásba áll-e.

▶ **Ábra3:** 1. Kapcsológomb

A szerzám elindításához húzza meg a kapcsológombot. Ha erősebben nyomja a kapcsológombot, a szerzám fordulatszámja növekszik. A megállításhoz engedje el a kapcsológombot.

**MEGJEGYZÉS:** A szerzám automatikusan megáll, ha a kapcsológombot 6 percen keresztül folyamatosan húzza.

## Az első lámpa bekapcsolása

**⚠ VIGYÁZAT:** Ne tekintsen a fénybe vagy ne nézze egyenesen a fényforrást.

▶ **Ábra4:** 1. Lámpa

Húzza meg a kapcsológombot a lámpa bekapcsolásához. A lámpa addig világít, amíg a kapcsológomb meg van húzva. A lámpa a kapcsológomb elengedése után 10 másodperccel alszik ki.

**MEGJEGYZÉS:** Ha a szerzám túlmelegszik, akkor automatikusan leáll, és a lámpa villogni kezd. Ilyen esetben engedje fel a kapcsológombot. A lámpa 1 perc múlva kialszik.

**MEGJEGYZÉS:** Száraz ruhadarabbal törölje le a szennyeződést a lámpa lencséről. Ügyeljen arra hogy ne karcolja meg a lámpa lencsét, ez csökkentheti a megvilágítás erősségét.

## Forgásirányváltó kapcsolókar működése

**⚠ VIGYÁZAT:** Használat előtt mindig ellenőrizze a beállított forgásirányt.

**⚠ VIGYÁZAT:** A forgásirányváltó kapcsolókat csak azután használja, hogy a szerzám teljesen megállt. A forgásirány megváltoztatása a szerzám leállása előtt a gép károsodását okozhatja.

**⚠ VIGYÁZAT:** Amikor nem működteti a szerzámot, a forgásirányváltó kapcsolókat mindig állítsa a semleges állásba.

Ez a szerzám forgásirányváltó kapcsolókkal van felszerelve a forgásirány megváltoztatásához. Váltsa át a forgásirányváltó kapcsolókat az A oldalról az óramutató járásával megegyező vagy a B oldalról az azzal ellentétes irányú forgáshoz.

Ha a forgásirányváltó kapcsolókar semleges pozícióban van, a kapcsolókat nem lehet behúzni.

▶ **Ábra5:** 1. Forgásirányváltó kapcsolókar

## Sebességváltás

**MEGJEGYZÉS:** A sebességváltó kapcsolót csak azután használja, hogy a szerzám teljesen megállt. A szerzám megrongálódhat, ha sebességet a szerzám leállása előtt vált.

**MEGJEGYZÉS:** A sebességváltó kapcsolót mindig óvatosan a megfelelő helyzetbe állítsa. Ha a szerzámot úgy működteti, hogy a sebességváltó kapcsoló félúton áll az „1” és a „2” pozíció között, az a szerzám károsodását okozhatja.

**MEGJEGYZÉS:** Ha a nagysebességű módban való működés közben a forgási sebesség jelentősen lecsökken, állítsa le a szerzámot, és változtassa az üzemmodtot alacsony sebességűre. Máskülönben a motor túlterhelődhet, és hibás működést vagy tüzet okozhat.

A sebességváltó kapcsoló segítségével két sebesség-tartományt lehet előválasztani.

Sebességváltáshoz fordítsa úgy a sebességváltó kapcsolót, hogy a mutató kis sebességű módhoz az „1”, nagy sebességű módhoz pedig a „2” pozícióra mutasson.

▶ **Ábra6:** 1. Mutató 2. Sebességváltó kapcsoló

## Elektronikus funkció

### Elektromos fék

A szerzám elektromos fékkel rendelkezik. Ha a szerzámnak rendszeresen nem sikerül gyorsan leállnia a kapcsológomb felengedése után, szervizeltesse a szerzámot a Makita szervizközpontban.

### Lágyindítás

A funkció korlátozza az indítási nyomatékot, és ezáltal finom indítást eredményez.

# ÖSSZESZERELÉS

**⚠VIGYÁZAT:** Minden esetben ellenőrizze, hogy a szerszám ki van kapcsolva és az akkumulátort levette, mielőtt bármilyen műveletet végez a szerszámon.

## Az oldalmarkolat (kisegítő fogantyú) felszerelése

**⚠VIGYÁZAT:** Használat előtt mindig bizonyosodjon meg arról, hogy az oldalmarkolat szilárdan van rögzítve.

Csavarja fel az oldalmarkolatot a szerszám oldalára. Az oldalmarkolat a szerszám mindkét oldalára felszerelhető, ahogyan kényelmesebb.

► **Ábra7:** 1. Oldalmarkolat

## Kulcstartó felszerelése

(Országfüggő)

**⚠VIGYÁZAT:** Használat előtt mindig győződjön meg róla, hogy a kulcstartót biztonságosan rögzítették.

Csavarja fel a kulcstartót szorosan a szerszámára. Ezután helyezze be a tokmánykulcsot.

► **Ábra8:** 1. Kulcstartó 2. Csavar 3. Tokmánykulcs

## A fúróhegy behelyezése és eltávolítása

A fúróhegy behelyezéséhez tegye azt a tokmányba, és tolja be ütközésig. Húzza meg kézzel a tokmányt. Tegye a tokmánykulcsot egymás után mindhárom furatba, és húzza meg a tokmányt az óramutató járásával meg egyező irányban. Ügyeljen rá, hogy mindhárom furatban egyformán végezze a meghúzást.

A fúróhegy eltávolításához forgassa a tokmánykulcsot az óramutató járásával ellentétes irányba az egyik furatban, majd lazítsa meg kézzel a tokmányt.

► **Ábra9:** 1. Tokmánykulcs

A használat után helyezze vissza a tokmánykulcsot a szerszámon található kulcstartóra az ábrán látható módon.

► **Ábra10:** 1. Kulcstartó

## Akasztó

**⚠VIGYÁZAT:** Mindig vegye ki az akkumulátort a szerszámból, amikor felakasztja azt az akasztóval.

**⚠VIGYÁZAT:** Soha ne akassza a szerszámot magas helyre vagy nem teljesen stabil felületre.

Az akasztó a gép ideiglenes felakasztására szolgál. Használatához egyszerűen emelje felfelé az akasztót addig, amíg be nem pattan a nyitott állásba. Amikor nem használja, mindig engedje le az akasztót addig, amíg be nem pattan a zárt állásba.

► **Ábra11:** 1. Övtartó

► **Ábra12**

## A rögzítőkötél (heveder) csatlakoztatása az akasztóhoz

**⚠VIGYÁZAT:** Ne használjon sérült akasztót és csavarokat. Használat előtt mindig ellenőrizze, nincsenek-e sérülések, repedések vagy deformálódások, és győződjön meg róla, hogy a csavarokat meghúzták.

**⚠VIGYÁZAT:** Ügyeljen arra, hogy az akasztó biztonságosan legyen rögzítve a csavarokkal.

**⚠VIGYÁZAT:** Ne szereljen fel vagy távolítsa el a kiegészítőket, amíg a szerszám fel van akasztva. A szerszám leeshet, ha a csavarok nincsenek szorosan meghúzva.

**⚠VIGYÁZAT:** Mindig használjon reteszelő karabinert (többfunkciós és csavaros típusú), és győződjön meg róla, hogy a rögzítőkötélet (heveder) az akasztó duplán hurkolt részéhez csatlakoztatja. A nem megfelelő csatlakozás azt okozhatja, hogy a szerszám leesik az akasztóról, és ennek személyi sérülés lehet az eredménye.

Az akasztó a rögzítőkötél (heveder) csatlakoztatására is szolgál. Ügyeljen arra, hogy a rögzítőkötél (heveder) az akasztó duplán hurkolt részéhez legyen csatlakoztatva.

► **Ábra13:** 1. Az akasztó duplán hurkolt része 2. Rögzítőkötél (heveder) 3. Reteszelő karabiner (többfunkciós és csavaros típusú)

## MŰKÖDTETÉS

**⚠VIGYÁZAT:** Mindig egészen addig tolja be az akkumulátort, amíg egy kis kattanással a helyén rögzíti. Ha látható a piros jel a gomb felső oldalán, akkor nem kattant be teljesen. Nyomja be az akkumulátort teljesen, amíg a piros rész el nem tűnik. Ha ez nem történik meg, akkor az akkumulátor kieshet a szerszámból, és Önnek vagy a környezetében másnak sérülést okozhat.

**⚠VIGYÁZAT:** Amikor a fordulatszám nagyon lecsökken, csökkentse a terhelést, vagy állítsa le a szerszámot, hogy elkerülje annak sérülését.

**⚠VIGYÁZAT:** Használat közben erősen tartsa a szerszámot.

## A szerszám tartása

**⚠VIGYÁZAT:** Ez egy nagy teljesítményű szerszám. Nagy nyomoték keletkezik, és fontos, hogy a szerszámot biztosan tartsuk és megfelelően megtámasszuk.

Az egyik kezével tartsa a fogantyút, a másik kezével pedig az elülső fogantyút.

► **Ábra14:** 1. Elülső fogantyú 2. Fogantyú

### Fúrás fába

Fa fúrásakor a legjobb eredményt akkor kapja, ha vezetőcsavarral felszerelt fafúrókat használ. A vezetőcsavar könnyebbé teszi a fúrást mert bevezeti a fúróhegyet a munkadarabba.

### Fúrás fémbe

Annak megelőzésére, hogy a fúróhegy kicsússzon a furat megkezdésekor, jelölje be a fúrni kívánt pontot egy pontozóval és egy kalapáccsal. Helyezze a fúróhegy csúcsát a jelölésbe és kezdje el a fúrást.

Fémek fúrásakor használjon forgácsoláshoz alkalmas kenőanyagot. Kivételt csupán az öntöttvas és a sárgaréz képeznek, amelyeket szárazon kell fúrni.

**⚠VIGYÁZAT:** Ha túlságosan erősen nyomja a szerszámot, azzal nem gyorsítja meg a furat kifúrását. Valójában a főlegesen nagy nyomás csupán a fúróhegy sérüléséhez, a szerszám teljesítményének csökkenéséhez vezet és lerövidíti a szerszám hasznos élettartamát.

**⚠VIGYÁZAT:** Erősen fogja a szerszámot, és legyen óvatos, amikor a fúróhegy elkezd áttörni a munkadarabot. Hatalmas erő hat a szerszámra/fúróhegyre a furat áttörésének pillanatában.

**⚠VIGYÁZAT:** A beszorult fúróhegyet egyszerűen el lehet távolítani a forgásirányváltó kapcsolókar ellentétes irányú forgásba kapcsolásával. Azonban a gép hirtelen visszafelé foroghat, ha nem tartja erősen.

**⚠VIGYÁZAT:** A munkadarabokat mindig rögzítse satuban, vagy más hasonló befogó eszközzel.

**⚠VIGYÁZAT:** Ne fúrjon olyan anyagba, amelyről azt gyanítja, hogy rejtett szegeket vagy más tárgyakat tartalmazhat, amelyek a fúrófej beszorulását vagy törését okozhatják.

**⚠VIGYÁZAT:** Ha a szerszámot folyamatosan működödteti addig, amíg az akkumulátor teljesen lemerül, pihentesse a szerszámot 15 percre, mielőtt tovább folytatja a munkát egy feltöltött akkumulátorral.

### Rögzítőkötél (heveder) csatlakozó

**⚠Biztonsági figyelmeztetések speciálisan a magasban történő használathoz**  
Olvassa el az összes biztonsági figyelmeztetést és utasítását. Ha nem tartja be a figyelmeztetéseket és utasításokat, az súlyos sérülést okozhat.

1. Mindig tartsa kikötve a szerszámot, ha „magasban” dolgozik. A rögzítőkötél maximális hossza 2 m (6,5 láb). A rögzítőkötél (heveder) maximális megengedett esési hossza nem haladhatja meg a 2 m-t (6,5 lábat).
2. Csak az ennek a szerszámtípusnak megfelelő és legalább 5,0 kg (11,0 font) -ra méretezett rögzítőkötellekkel használja.
3. Ne rögzítse a szerszám rögzítőkötélét semmilyen a testén található tárgyra, sem mozgó elemekhez. Rögzítse a szerszám rögzítőkötélét merev szerkezethez, amely ellen tud állni a leeső szerszám keltette erőknél.

4. Használat előtt győződjön meg róla, hogy a rögzítőkötél mindkét végén megfelelően van rögzítve.
5. Minden használat előtt vizsgálja meg a szerszámot és a rögzítőkötélet (az anyagot és a varratokat is), nem sérült-e, és megfelelően működik-e. Ne használja, ha sérült vagy nem működik megfelelően.
6. Ne tekerje a rögzítőkötéleket semmi köré, és ne engedje, hogy éles vagy durva élekkel érintkezzenek.
7. Rögzítse a rögzítőkötél másik végét a munkaterületen kívülre, hogy a leeső szerszámot biztosan megtartsa.
8. Úgy rögzítse a rögzítőkötélet, hogy ha leesik a szerszám, távolodjon a kezelőtől. A leejtett szerszámok a rögzítőkötélen fognak lengeni, ez sérülést vagy egyensúlyvesztést okozhat.
9. Ne használja mozgó alkatrészek vagy működő gépezetek közelében. Ha ezt elmulasztja, fennáll az összetörés vagy rátekeredés veszélye.
10. Ne hordja az eszközt a tartozékánál vagy a rögzítőkötélnél fogva.
11. Csak akkor tegye át a szerszámot egyik kezéből a másikba, ha megfelelő egyensúlyt tud tartani.
12. Ne csatlakoztassa a rögzítőkötéleket a szerszámhoz oly módon, hogy megakadályozza a védők, kapcsolók vagy reteszek megfelelő működését.
13. Vigyázzon, ne gabalyodjon bele a rögzítőkötélbe.
14. Tartsa távol a rögzítőkötélet a szerszám vágási helyétől.
15. Használjon többlépcsős vagy csavaros típusú karabinereket. Ne használjon egyszerű rugós billentyűs karabinereket.
16. Abban az esetben, ha a szerszámot leejtik, meg kell jelölni, ki kell vonni a használatból, és meg kell vizsgáltatni egy Makita gyárban vagy hivatalos szervizközpontban.

## KARBANTARTÁS

**⚠VIGYÁZAT:** Minden esetben ellenőrizze, hogy a szerszám ki van kapcsolva és az akkumulátor eltávolításra került mielőtt átvizsgálja a szerszámot vagy annak karbantartását végzi.

**MEGJEGYZÉS:** Soha ne használjon gázolajt, benzint, hígítót, alkoholt vagy hasonló anyagokat. Ezek elszíneződést, alakvesztést vagy repedést okozhatnak.

A termék BIZTONSÁGÁNAK és MEGBÍZHATÓSÁGÁNAK fenntartása érdekében a javításokat és más karbantartásokat vagy beállításokat a Makita hivatalos vagy gyári szervizközpontjában kell elvégezni, mindig csak Makita cserealkatrészeket használva.



# OPCIONÁLIS KIEGÉSZÍTŐK

**⚠ VIGYÁZAT:** Ezen kiegészítőket és tartozékokat javasoljuk a kézikönyvben ismertetett Makita szerszámhoz. Bármilyen más kiegészítő vagy tartozék használata a személyi sérülés kockázatával jár. A kiegészítőt vagy tartozékot csak rendeltetésszerűen használja.

Ha bármilyen segítségre vagy további információra van szüksége ezekkel a tartozékokkal kapcsolatban, keresse fel a helyi Makita Szervizközpontot.

- Fűrőhegyek
- Eredeti Makita akkumulátor és töltő

**MEGJEGYZÉS:** A listán felsorolt néhány kiegészítő megtalálható az eszköz csomagolásában standard kiegészítőként. Ezek országonként eltérőek lehetnek.

## TECHNICKÉ ŠPECIFIKÁCIE

<b>Model:</b>		<b>DDA450</b>	
Rýchlosť zariadenia		Vysoké otáčky	Nízke otáčky
Hĺbky vrtania	Oceľ	13 mm	
	Drevo	Špirálový vrták: 38 mm Samorezný vrták: 50 mm Vykrúžovací vrták: 101 mm	Špirálový vrták: 38 mm Samorezný vrták: 65 mm Vykrúžovací vrták: 127 mm
Otáčky naprázdno		0 – 1 400 min <sup>-1</sup>	0 – 450 min <sup>-1</sup>
Celková dĺžka (s akumulátorom BL1860B)		434 mm	
Menovité napätie		Jednosmerný prúd 18 V	
Čistá hmotnosť		3,2 – 3,5 kg	

- Vzhľadom k neustálemu výskumu a vývoju podliehajú technické údaje uvedené v tomto dokumente zmenám bez upozornenia.
- Technické údaje sa môžu pre rôzne krajiny líšiť.
- Hmotnosť sa môže líšiť v závislosti od nastavcov vrátane akumulátora. Najľahšia a najťažšia kombinácia v súlade s postupom EPTA 01/2014 je uvedená v tabuľke.

### Použiteľné akumulátory a nabíjačky

Akumulátor	BL1815N / BL1820B / BL1830B / BL1840B / BL1850B / BL1860B
Nabíjačka	DC18RC / DC18RD / DC18RE / DC18SD / DC18SE / DC18SF / DC18SH

- Niektoré vyššie uvedené akumulátory a nabíjačky môžu byť nedostupné v závislosti od miesta vášho bydliska.

**VAROVANIE:** Používajte iba akumulátory a nabíjačky zo zoznamu uvedeného vyššie. Používanie akýchkoľvek iných akumulátorov a nabíjačiek môže spôsobiť zranenie a/alebo požiar.

### Určené použitie

Tento nástroj je určený na vrtanie do dreva, kovov a plastov.

### Hluk

Typická hladina akustického tlaku zátáže A určená podľa štandardu EN62841-2-1:

Úroveň akustického tlaku ( $L_{pA}$ ): 83 dB (A)

Úroveň akustického tlaku ( $L_{WA}$ ): 94 dB (A)

Odchýlka (K): 3 dB (A)

**POZNÁMKA:** Deklarovaná hodnota emisií hluku bola meraná podľa štandardnej skúšobnej metódy a môže sa použiť na porovnanie jedného nástroja s druhým.

**POZNÁMKA:** Deklarovaná hodnota emisií hluku sa môže použiť aj na predbežné posúdenie vystavenia ich účinkom.

**VAROVANIE:** Používajte ochranu sluchu.

**VAROVANIE:** Emisie hluku sa môžu počas skutočného používania elektrického nástroja odlišovať od deklarovanej hodnoty, a to v závislosti od spôsobov používania náradia a najmä typu spracúvaného obrobku.

**VAROVANIE:** Nezabudnite označiť bezpečnostné opatrenia s cieľom chrániť obsluhu, a to tie, ktoré sa zakladajú na odhade vystavenia účinkom v rámci reálnych podmienok používania (berúc do úvahy všetky súčasti prevádzkového cyklu, ako sú doby, kedy je nástroj vypnutý a kedy beží bez zaťaženia, ako dodatok k dobe zapnutia).

### Vibrácie

Celková hodnota vibrácií (trojosový vektorový súčet) určená podľa štandardu EN62841-2-1:

Režim činnosti: vrtanie do kovu

Emisie vibrácií ( $a_{h,D}$ ): 2,5 m/s<sup>2</sup> alebo menej

Odchýlka (K): 1,5 m/s<sup>2</sup>

**POZNÁMKA:** Deklarovaná celková hodnota vibrácií bola meraná podľa štandardnej skúšobnej metódy a môže sa použiť na porovnanie jedného nástroja s druhým.

**POZNÁMKA:** Deklarovaná celková hodnota vibrácií sa môže použiť aj na predbežné posúdenie vystavenia ich účinkom.

**VAROVANIE:** Emisie vibrácií sa môžu počas skutočného používania elektrického nástroja odlišovať od deklarovanej hodnoty, a to v závislosti od spôsobov používania náradia a najmä typu spracúvaného obrobku.

**VAROVANIE:** Nezabudnite označiť bezpečnostné opatrenia s cieľom chrániť obsluhu, a to tie, ktoré sa zakladajú na odhade vystavenia účinkom v rámci reálnych podmienok používania (berúc do úvahy všetky súčasti prevádzkového cyklu, ako sú doby, kedy je nástroj vypnutý a kedy beží bez zaťaženia, ako dodatok k dobe zapnutia).



## Vyhlasenie o zhode ES

### Len pre krajiny Európy

Vyhlasenie o zhode ES sa nachádza v prílohe A tohto návodu na obsluhu.

## BEZPEČNOSTNÉ VAROVANIA

### Všeobecné bezpečnostné predpisy pre elektrické nástroje

**VAROVANIE:** Preštudujte si všetky bezpečnostné varovania, pokyny, vyobrazenia a technické špecifikácie určené pre tento elektrický nástroj. Pri nedodržaní všetkých nižšie uvedených pokynov môže dôjsť k úrazu elektrickým prúdom, požiaru alebo vážnemu zraneniu.

### Všetky výstrahy a pokyny si odložte pre prípad potreby v budúcnosti.

Pojem „elektrický nástroj“ sa vo výstrahách vzťahuje na elektricky napájané elektrické nástroje (s káblom) alebo batériu napájané elektrické nástroje (bez kábla).

### Bezpečnostné varovania týkajúce sa akumulátorovej vrtáčky

#### Bezpečnostné pokyny pre všetky úkony

1. **Použite pomocnú rukoväť.** Strata ovládania môže mať za následok poranenie.
2. **Pri rezaní držte elektrický nástroj len za izolované úchopné povrchy, pretože sa môže rezné príslušenstvo dostať do kontaktu so skrytými vodičmi.** Rezné príslušenstvo, ktoré sa dostane do kontaktu s vodičom pod napätím, môže spôsobiť prechod elektrického prúdu kovovými časťami elektrického nástroja a spôsobiť tak obsluhu zasiahnutie elektrickým prúdom.
3. **Vždy dbajte na pevný postoj. Ak pracujete vo výškach, dbajte, aby pod vami nikto nebol.**
4. **Náradie držte pevne.**
5. **Nepribližujte ruky k otáčajúcim sa častiam.**
6. **Nenechávajte nástroj v prevádzke bez dozoru. Pracujte s ním, len keď ho držíte v rukách.**
7. **Nedotýkajte sa bezprostredne po skončení práce vrtáka ani opracovávaného dielu. Môžu byť veľmi horúce a popáliť vás.**
8. **Niektoré materiály obsahujú chemikálie, ktoré môžu byť jedovaté. Dávajte pozor, aby ste ich nevdychovali ani sa ich nedotýkali. Prečítajte si bezpečnostné informácie dodávateľa materiálu.**
9. **Ak vrták nie je možné uvoľniť ani otvorením čelustí, použite na jeho vyťahnutie kliešte. V prípade vyťahovania vrtáka rukou môže dôjsť k zraneniu spôsobenému jeho ostrou hranou.**
10. **Ak s náradím niečo nie je v poriadku, napríklad počuť nezvyčajné zvuky, okamžite prestaňte pracovať a požiadajte o opravu miestne servisné stredisko spoločnosti Makita.**

11. **Pred začatím práce sa uistite, že sa v zemi nenachádza žiadny zakopaný objekt ako elektrické káble, vodovodné alebo plynové potrubie. V opačnom prípade sa ich môže nástroj dotknúť a spôsobiť zásah elektrickým prúdom, prerušenie vedenia elektrickej energie alebo únik plynu.**

#### Bezpečnostné pokyny pri používaní dlhých vrtákov

1. **Nikdy nepoužívajte pri vyššej rýchlosti, ako sú maximálne menovité otáčky vrtáka. Pri vyšších otáčkach sa môže vrták ohnúť, ak sa voľne otáča bez kontaktu s obrobkom, a spôsobiť zranenie.**
2. **Vždy začinite vrtat' pri nízkych otáčkach a tak, aby sa špička vrtáka dotýkala obrobku. Pri vyšších otáčkach sa môže vrták ohnúť, ak sa voľne otáča bez kontaktu s obrobkom, a spôsobiť zranenie.**
3. **Aplikujte tlak len priamo v osi vrtáka a neaplikujte nadmerný tlak. Vrtáky by sa mohli ohnúť a spôsobiť zlomenie alebo stratu kontroly a následne zranenie osôb.**

## TIETO POKYNY USCHOVAJTE.

**VAROVANIE:** NIKDY nepripustíte, aby seba-vedomie a dobrá znalosť výrobku (získané opakovaným používaním) nahradili presné dodržiavanie bezpečnostných pravidiel pri používaní náradia. **NESPRÁVNE POUŽÍVANIE** alebo **nedodržiavanie bezpečnostných zásad uvedených v tomto návode môže viesť k vážnemu zraneniu.**

### Dôležité bezpečnostné a prevádzkové pokyny pre akumulátor

1. **Pred použitím akumulátora si prečítajte všetky pokyny a výstavné označenia na (1) nabíjačke akumulátorov, (2) akumulátore a (3) produkte používajúcom akumulátor.**
2. **Akumulátor nerozoberajte ani neupravujte. Môže to viesť k požiaru, nadmernému teplu alebo výbuchu.**
3. **Ak sa doba prevádzky príliš skráti, ihneď prerušte prácu. Môže nastať riziko prehriatia, možných popálením či dokonca explózie.**
4. **V prípade zasiahnutia očí elektrolytom ich vypláchnite čistou vodou a okamžite vyhľadajte lekársku pomoc. Môže dôjsť k strate zraku.**
5. **Akumulátor neskratujte:**
  - (1) **Nedotýkajte sa konektorov žiadnym vodičným materiálom.**
  - (2) **Neskladujte akumulátor v obale s inými kovovými predmetmi, napríklad klíncami, mincami a pod.**
  - (3) **Akumulátor nevystavujte vode ani dažďu. Skrat akumulátora môže spôsobiť veľký tok prúdu, prehriatie, možné popáleniny či dokonca poruchu.**
6. **Nástroj ani akumulátor neskladujte a nepoužívajte na miestach s teplotou presahujúcou 50 °C (122 °F).**
7. **Akumulátor nespálujte, ani keď je vážne poškodený alebo úplne opotrebovaný. Akumulátor môže v ohni explodovať.**
8. **Akumulátor neprepichujte, neprerezávajte, nedrvtvte, nehádzte ani ho nenarúšajte údermi o tvrdé predmety. Môže to viesť k požiaru, nadmernému teplu alebo výbuchu.**
9. **Nepoužívajte poškodený akumulátor.**

10. **Lítium-iónové akumulátory, ktoré sú súčasťou náradia, podliehajú požiadavkám legislatívy o nebezpečnom tovare.**

V prípade obchodnej prepravy, napr. dodanie tretími stranami či špeditérmi, sa musia dodržiavať špeciálne požiadavky na zabalenie a označenie. Pred prípravou položky na odoslanie sa vyžaduje konzultácia s odborníkom na nebezpečný materiál. Taktiež treba dodržiavať potenciálne podrobnejšie predpisy príslušnej krajiny.

Prelepte alebo zakryte otvorené kontakty a zabaľte akumulátor tak, aby sa v balíku nemohol voľne pohybovať.

11. **Akumulátor pri likvidácii odstráňte z nástroja a zlikvidujte ho na bezpečnom mieste. Akumulátor zlikvidujte v súlade s miestnymi nariadeniami.**
12. **Akumulátory používajte iba s výrobkami uvedenými spoločnosťou Makita.** Inštalácia akumulátorov do nevyhovujúcich výrobkov môže spôsobiť požiar, nadmerné teplo, výbuch alebo únik elektrolytov.
13. **Ak sa nástroj dlhší čas nepoužíva, odstráňte z neho akumulátor.**
14. **Akumulátor sa môže počas používania a po použití zohriať, čo môže spôsobiť popáleniny alebo popáleniny aj pri relatívne nízkej teplote. Pri manipulácii s horúcimi akumulátormi dávajte pozor.**
15. **Nedotýkajte sa svorky nástroja ihneď po použití, keďže sa mohla zohriať dostatočne na to, aby spôsobila popáleniny.**
16. **Zabráňte zachytávaniu triesok, prachu alebo zeminy na svorkách, otvoroch a drážkach akumulátora.** Môže to viesť k slabému výkonu alebo poškodeniu nástroja alebo akumulátora.
17. **Pokiaľ nástroj nepodporuje používanie v blízkosti vysokonapäťových elektrických vedení, nepoužívajte akumulátor blízko vysokonapäťových elektrických vedení.** Môže to viesť k nesprávnemu fungovaniu alebo poškodeniu nástroja alebo akumulátora.
18. **Akumulátor držte mimo dosahu detí.**

## TIETO POKYNY USCHOVAJTE.

**⚠️ POZOR:** Používajte len originálne akumulátory od spoločnosti Makita. Používanie batérií, ktoré nie sú od spoločnosti Makita, alebo upravených batérií môže spôsobiť výbuch batérie a následný požiar, zranenie osôb alebo poškodeniu majetku. Následkom bude aj zrušenie záruky od spoločnosti Makita na nástroj a nabíjačku od spoločnosti Makita.

## Rady na udržanie maximálnej životnosti akumulátora

- Akumulátor nabíjajte ešte predtým, ako sa úplne vybije. Vždy prerušite prácu s nástrojom a nabíjajte akumulátor, keď spozorujete nižší výkon nástroja.**
- Nikdy nenabíjajte plne nabitý akumulátor. Prebíjanie skraca životnosť akumulátora.**
- Akumulátor nabíjajte pri izbovej teplote 10 °C – 40 °C (50 °F – 104 °F). Pred nabíjaním nechajte horúci akumulátor vychladnúť.**
- Keď akumulátor nepoužívate, vyberte ho z nástroja alebo nabíjačky.**
- Lítium-iónový akumulátor nabíjajte, ak ste ho nepoužívali dlhšie ako šesť mesiacov.**

## OPIS FUNKCIÍ

**⚠️ POZOR:** Pred úpravou alebo kontrolou funkčnosti nástroja vždy skontrolujte, či je nástroj vypnutý a akumulátor je vybratý.

## Inštalácia alebo demontáž akumulátora

**⚠️ POZOR:** Pred inštaláciou alebo vybratím akumulátora nástroj vždy vypnite.

**⚠️ POZOR:** Pri inštalovaní a vyberaní akumulátora pevne uchopíte nástroj a akumulátor. Ak nástroj a akumulátor pevne neuchopíte, môže to mať za následok vyšmyknutie z vašich rúk s dôsledkom poškodenia nástroja a akumulátora, ako aj osobných poranení.

► **Obr.1:** 1. Červený indikátor 2. Tlačidlo 3. Akumulátor

Ak chcete vybrať akumulátor, vysuňte ho z nástroja, pričom posuňte tlačidlo na prednej strane akumulátora.

Akumulátor vložte tak, že jazýček akumulátora zarovnáte s drážkou v kryte a zasuniete ho na miesto. Zatláčajte ho úplne, kým zakliknutím nezapadne na miesto. Ak vidíte červený indikátor na hornej strane tlačidla, nie je správne zapadnutý.

**⚠️ POZOR:** Akumulátor vždy nainštalujte úplne, až kým nie je vidieť červený indikátor. V opačnom prípade môže náhodne vypadnúť z nástroja a ublížiť vám alebo osobám v okolí.

**⚠️ POZOR:** Pri inštalovaní akumulátora nepoužívajte silu. Ak sa akumulátor nedá zasunúť ľahko, nevkladáte ho správne.

## Indikácia zvyšnej kapacity akumulátora

*Len na akumulátory s indikátorom*

► **Obr.2:** 1. Indikátory 2. Tlačidlo kontroly

Stlačením tlačidla kontroly na akumulátore zobrazíte zostávajúcu kapacitu akumulátora. Indikátory sa na niekoľko sekúnd rozsvietia.

Indikátory			Zostávajúca kapacita
Svieti	Nesvieti	Bliká	
■ ■ ■ ■	□	▬	75 % až 100 %
■ ■ ■ □	□	□	50 % až 75 %
■ ■ □ □	□	□	25 % až 50 %
■ □ □ □	□	□	0 % až 25 %
▬ □ □ □	□	□	Akumulátor nabíjate.
■ ■ □ □	□	□	Akumulátor je možno chybný.
□ □ ■ ■	□	□	

**POZNÁMKA:** V závislosti od podmienok používania a v závislosti od okolitej teploty sa môže zobrazenie mierne odlišovať od skutočnej kapacity.

**POZNÁMKA:** Prvý (úplne vľavo) svetelný indikátor bude blikať, keď systém ochrany akumulátora funguje.

## Systém na ochranu nástroja/akumulátora

Nástroj je vybavený systémom ochrany nástroja/akumulátora. Tento systém automaticky vypne napájanie motora s cieľom predĺžiť životnosť nástroja a akumulátora. Nástroj sa počas prevádzky automaticky zastaví v prípade, ak sa nástroj alebo akumulátor dostanú do jedného z nasledujúcich stavov:

## Ochrana proti preťaženiu

Keď sa nástroj/akumulátor používa spôsobom, ktorý spôsobuje odber neštandardne vysokého prúdu, nástroj sa automaticky vypne. V tejto situácii vypnite nástroj a ukončíte prácu, ktorá spôsobuje jeho preťažovanie. Potom nástroj zapnutím znova spustíte.

## Ochrana pred prehrievaním

Ak je nástroj/akumulátor prehriaty, automaticky sa zastaví a začne blikať indikátor. V tejto situácii nechajte nástroj pred jeho opätovným spustením vychladnúť.

## Ochrana pred nadmerným vybitím

Keď je kapacita akumulátora nedostatočná, nástroj sa automaticky vypne. V takomto prípade vyberte akumulátor z nástroja a nabite ho.

## Zapínanie

**POZOR:** Pred vložením akumulátora do nástroja sa vždy presvedčíte, či spúšťač spínača funguje správne a po uvoľnení sa vráti do pozície „OFF“.

► Obr.3: 1. Spúšťač spínača

Nástroj spustíte stlačením spúšťačieho spínača. Rýchlosť nástroja sa zvyšuje zvyšovaním prítlaku na spúšťač spínača. Nástroj zastavíte uvoľnením spúšťačieho spínača.

**POZNÁMKA:** Nástroj sa automaticky zastaví, ak bude spúšťač spínača stlačený asi 6 minút.

## Zapnutie prednej lampy

**POZOR:** Nedívať sa priamo do svetla ani jeho zdroja.

► Obr.4: 1. Lampa

Lampu rozsvietite stlačením spúšťačieho tlačidla. Lampa svieti, kým ťaháte uvoľnený spúšťač spínača. Lampa zhasne asi 10 sekúnd po uvoľnení spúšťačieho spínača.

**POZNÁMKA:** Ak je nástroj prehriaty, automaticky sa zastaví a začne blikať lampa. Ak k tomu dôjde, uvoľnite spúšťač spínača. Po uplynutí 1 minúty lampa zhasne.

**POZNÁMKA:** Suchou tkaninou utrite znečistené šošovky lampy. Dávajte pozor, aby sa šošovky lampy nepoškriabali. Mohla by sa znížiť intenzita osvetlenia.

## Činnosť prepínacej páčky smeru otáčania

**POZOR:** Pred začatím činnosti vždy skontrolujte smer otáčania.

**POZOR:** Smer otáčania prepínajte až po úplnom zastavení nástroja. Pri zmene smeru otáčania pred úplným zastavením by sa mohol nástroj poškodiť.

**POZOR:** Keď nástroj nepoužívate, prepínicu páčku smeru otáčania vždy prepnite do neutrálnej polohy.

Tento nástroj má prepínicu páčku na zmenu smeru otáčania. Zatlačte prepínicu páčku smeru otáčania zo strany A pre otáčanie v smere pohybu hodinových ručičiek alebo zo strany B pre otáčanie proti smeru pohybu hodinových ručičiek.

Keď je prepínicia páčka smeru otáčania v neutrálnej polohe, spínacia páčka sa nedá stlačiť.

► Obr.5: 1. Prepínicia páčka smeru otáčania

## Zmena otáčok

**UPOZORNENIE:** Ovládač zmeny otáčok používajte až po úplnom zastavení nástroja. Pri zmene otáčok nástroja pred úplným zastavením by mohlo dôjsť k poškodeniu nástroja.

**UPOZORNENIE:** Ovládač zmeny otáčok vždy starostlivo nastavte do správnej polohy. Ak je pri prevádzke nástroja ovládač zmeny otáčok umiestnený v polovici medzi polohou 1 a polohou 2, nástroj sa môže poškodiť.

**UPOZORNENIE:** Ak sa úroveň otáčok počas prevádzky v režime vysokých otáčok výrazne zníži, zastavte nástroj a zmeňte režim na režim nízkych otáčok. V opačnom prípade sa môže motor preťažiť a zapríčiniť poruchu alebo požiar.

Ovládačom zmeny otáčok možno vopred zvoliť dva rozsahy otáčok.

Ak chcete zmeniť otáčky, otočte ovládač zmeny otáčok tak, aby ukazovateľ smeroval k polohe 1 pre režim nízkych otáčok alebo k polohe 2 pre režim vysokých otáčok.

► Obr.6: 1. Ukazovateľ 2. Ovládač zmeny otáčok

## Elektronické funkcie

### Elektrická brzda

Tento nástroj je vybavený elektrickou brzdou. Ak sa nástroju nepretržite nedarí rýchlo prerušiť funkciu po uvoľnení spúšťačieho spínača, nechajte si nástroj opraviť v servisnom stredisku spoločnosti Makita.

### Funkcia hladkého štartu

Táto funkcia umožňuje hladké spustenie nástroja obmedzením krútiaceho momentu pri spustení.

## ZOSTAVENIE

**▲POZOR:** Pred vykonaním akejkoľvek práce na nástroji vždy skontrolujte, či je nástroj vypnutý a akumulátor je vybratý.

### Inštalácia bočnej rukoväti (pomocného držadla)

**▲POZOR:** Pred použitím sa vždy uistite, že bočná rukoväť je pevne nainštalovaná.

Pevne priskrutkujte bočnú rukoväť na nástroj. Bočná rukoväť sa môže namontovať na ktorúkoľvek stranu nástroja, podľa praktických potrieb.

► **Obr.7:** 1. Bočná rukoväť

### Montáž držiaka kľúča

(špecifické pre konkrétnu krajinu)

**▲POZOR:** Pred použitím sa vždy uistite, že držiak kľúča je pevne nainštalovaný.

Pevne priskrutkujte držiak kľúča na nástroj. Potom vložte kľúč skľučovadla na svoje miesto.

► **Obr.8:** 1. Držiak kľúča 2. Skrutka 3. Kľúč skľučovadla

### Montáž alebo demontáž vrtáka

Ak chcete namontovať vrták, vložte ho do skľučovadla až na doraz. Skľučovadlo utiahnite rukou. Zasuňte kľúč skľučovadla do každého z troch otvorov a utiahnite ho v smere hodinových ručičiek. Dbajte na rovnomerné utiahnutie všetkých troch otvorov v skľučovadle.

Ak chcete vrták vybrať, otáčajte kľúčom skľučovadla len v jednom z otvorov proti smeru hodinových ručičiek a potom skľučovadlo povoľte rukou.

► **Obr.9:** 1. Kľúč skľučovadla

Po použití vráťte kľúč skľučovadla do držiaka kľúča na nástroj podľa obrázka.

► **Obr.10:** 1. Držiak kľúča

### Hák

**▲POZOR:** Ak chcete náradie zavesiť na hák, vždy z neho vyberte akumulátor.

**▲POZOR:** Náradie nikdy nezavesujte príliš vysoko ani nepoužívajte na potenciálne nestabilnom povrchu.

Hák je vhodný na dočasné zavesenie nástroja. Ak chcete použiť hák, jednoducho ho nadvihnite a počkajte, kým nezapadne do otvorenej polohy. Keď sa nepoužíva, vždy ho zaistíte v zatvorenej polohe.

► **Obr.11:** 1. Hák

► **Obr.12**

## Pripojenie lana (popruhu) k háku

**▲POZOR:** Nepoužívajte poškodený hák ani skrutky. Pred použitím vždy skontrolujte, či nie sú skrutky poškodené, prasknuté alebo deformované, a uistite sa, že sú utiahnuté.

**▲POZOR:** Uistite sa, že je hák bezpečne pripavený skrutkami.

**▲POZOR:** Počas zavesenia nástroja nemontujte ani nedemontujte žiadne príslušenstvo. Ak nebudú skrutky dostatočne utiahnuté, nástroj by mohol spadnúť.

**▲POZOR:** Vždy používajte uzamykaciu karabínu (viacnásobné a skrutkovacie zamykanie) a lano (popruh) pripievte k dvojitej slučkovej časti háku. Nesprávne pripojenie môže viesť k vypadnutiu nástroja z háku a spôsobiť zranenie osôb.

Hák sa používa aj na pripojenie lana (popruhu). Lano (popruh) pripojte k dvojitej slučkovej časti háku.

► **Obr.13:** 1. Dvojité slučková časť háku 2. Lano (popruh) 3. Uzamykacia karabína (viacnásobné a skrutkovacie zamykanie)

## PREVÁDZKA

**▲POZOR:** Akumulátor vložte tak, aby zapadol na svoje miesto. Ak vidíte červený indikátor na hornej strane tlačidla, nie je správne zapadnutý. Zasuňte ho teda úplne tak, aby tento červený indikátor nebolo vidieť. V opačnom prípade môže náhodne vypadnúť z nástroja a ublížiť vám alebo osobám v okolí.

**▲POZOR:** Ak sa otáčky rýchlo znižujú, znížte zaťaženie alebo nástroj zastavte, aby ste sa vyhlí poškodeniu nástroja.

**▲POZOR:** Počas používania držte nástroj pevne.

### Držanie nástroja

**▲POZOR:** Toto je výkonný nástroj. Dokáže vyvinúť vysoký krútiaci moment a je dôležité ho bezpečne držať a riadne podopierať.

Uchopte rukoväť jednou rukou a prednú rukoväť druhou rukou.

► **Obr.14:** 1. Predná rukoväť 2. Rukoväť

### Vrtanie

#### Vrtanie do dreva

Ak vrtáte do dreva, najlepšie výsledky dosiahnete použitím vrtákov do dreva s vodiacou skrutkou. Vodiaca skrutka uľahčuje vrtanie vtlačením vrtáka do materiálu.

#### Vrtanie do kovu

Skľuz vrtáka pri začatí vrtania otvoru predídete tak, že si jamkovačom a kladivom pripravíte malý otvor v bode vrtania. Hrot vrtáka umiestnite do vyhlbeniny a začnite vrtáť. Počas vrtania do kovov používajte mazivo používané pri rezaní kovov. Výnimkou je železo a mosadz, do ktorých by sa malo vrtáť bez mazacieho média.

**⚠️ POZOR:** Nadmerným tlakom na nástroj vrátanie neurýchlyte. V skutočnosti tento nadmerný tlak vedie len k poškodeniu hrotu vášho vrtáka, zníženiu účinnosti nástroja a skráteniu jeho životnosti.

**⚠️ POZOR:** Držte nástroj pevne a dávajte pozor, keď vrták začína prenikať do obrobku. V čase prerážania otvorom pôsobí na nástroj/vrták veľká sila.

**⚠️ POZOR:** Uviaznutý vrták sa dá jednoducho uvoľniť prepnutím prepínača smeru otáčania do opačnej polohy. Pokiaľ však nástroj nedržíte pevne, môže nečakane vyskočiť.

**⚠️ POZOR:** Obrobky vždy upínajte do zveráka či do podobného upevňovacieho zariadenia.

**⚠️ POZOR:** Nevráťte do materiálu, o ktorom si myslíte, že by mohol obsahovať skryté klince alebo iné predmety, ktoré by mohli spôsobiť zaseknutie alebo zlomenie vrtáka.

**⚠️ POZOR:** Ak sa s nástrojom pracuje nepretržite až do vybitia akumulátora, pred ďalšou prácou s nabitým akumulátorom nechajte nástroj odpočívať aspoň 15 minút.

## Pripojenie lana (popruhu)

**⚠️** Bezpečnostné varovania špecifické pre použitie vo výškach

Prečítajte si všetky bezpečnostné výstrahy a pokyny. Nedodržiavanie varovaní a pokynov môže viesť k vážnemu zraneniu.

1. **Vždy pri práci „vo výškach“ udržujte nástroj pripevnený. Maximálna dĺžka lana je 2 m (6,5 stopy).**  
Maximálna povolená dĺžka pádu pre lano (popruh) nesmie presiahnuť 2 m (6,5 stopy).
2. Používajte iba s lanami vhodnými pre tento typ nástroja a s minimálnou nosnosťou 5,0 kg (11,0 lbs).
3. Lano nástroja neupevňujte k svojmu telu ani k pohyblivým častiam. Lano nástroja upevnite k pevnej konštrukcii, ktorá dokáže odolať silám nástroja pri páde.
4. Pred použitím skontrolujte, či je lano správne zaistené na oboch koncoch.
5. Pred každým použitím skontrolujte, či nie sú nástroj a lano poškodené a či správne fungujú (vrátane tkaniny a stehov). Nepoužívajte ich, ak sú poškodené alebo nefungujú správne.
6. Laná neomotávajte a nedovoľte, aby sa dostali do kontaktu s ostrými alebo hrubými okrajmi.
7. Upevnite druhý koniec lana mimo pracovnej oblasti tak, aby sa padajúci nástroj bezpečne zachytil.
8. Pripevnite lano tak, aby sa nástroj v prípade pádu pohyboval mimo operátora. Spadnuté nástroje sa budú hojdať na lane, čím môžu spôsobiť zranenie alebo stratu rovnováhy.
9. **Nepoužívajte v blízkosti pohyblivých častí alebo bežiacich strojov.** V opačnom prípade môže dôjsť k nebezpečenstvu nárazu alebo spadnutia.
10. Nástroj neprenášajte pomocou upevňovacieho zariadenia alebo lana.

11. **Nástroj presúvajte medzi rukami iba vtedy, keď máte dostatočnú rovnováhu.**
12. **K nástroju nepripevňujte laná spôsobom, ktorý by bránil správnej funkcii chráničov, prepínačov alebo poistiek.**
13. **Dávajte pozor, aby ste sa nezamotali do lana.**
14. **Lano udržiavajte mimo oblasti rezania nástroja.**
15. **Používajte multifunkčné a skrutkovacie karabíny. Nepoužívajte jednoúčelové karabíny s pružinovými sponami.**
16. **V prípade, že nástroj spadne, musí sa označiť a vyradiť z prevádzky a mal by sa skontrolovať v továrni Makita alebo v autorizovanom servisnom stredisku.**

## ÚDRŽBA

**⚠️ POZOR:** Pred vykonaním kontroly alebo údržby vždy skontrolujte, či je nástroj vypnutý a akumulátor je vybratý.

**UPOZORNENIE:** Nepoužívajte benzín, riedidlo, alkohol ani podobné látky. Mohlo by to spôsobiť zmenu farby, deformácie alebo praskliny.

Ak chcete udržať BEZPEČNOSŤ a BEZPORUCHOVOSŤ výrobku, prenechajte opravy, údržbu a nastavenie na autorizované alebo továrenské servisné centrá Makita, ktoré používajú len náhradné diely značky Makita.

## VOLITEĽNÉ PRÍSLUŠENSTVO

**⚠️ POZOR:** Pre váš nástroj Makita, opísaný v tomto návode, doporučujeme používať toto príslušenstvo a nástavce. Pri použití iného príslušenstva či nástavcov môže hroziť nebezpečenstvo zranenia osôb. Príslušenstvo a nástavce sa môžu používať len na účely pre ne stanovené.

Ak potrebujete bližšie informácie týkajúce sa tohoto príslušenstva, obráťte sa na vaše miestne servisné stredisko firmy Makita.

- Vrtáky
- Originálna batéria a nabíjačka Makita

**POZNÁMKA:** Niektoré položky zo zoznamu môžu byť súčasťou balenia nástrojov vo forme štandardného príslušenstva. Rozsah týchto položiek môže byť v každej krajine odlišný.

## SPECIFIKACE

Model:		DDA450	
Rychlost převodu		Vysoký	Nízký
Vrtací výkon	Ocel	13 mm	
	Dřevo	Šnekový vrták: 38 mm Samoposuvný vrták: 50 mm Pila na otvory: 101 mm	Šnekový vrták: 38 mm Samoposuvný vrták: 65 mm Pila na otvory: 127 mm
Otáčky bez zatížení		0 – 1 400 min <sup>-1</sup>	0 – 450 min <sup>-1</sup>
Celková délka (s akumulátorem BL1860B)		434 mm	
Jmenovité napětí		18 V DC	
Čistá hmotnost		3,2 – 3,5 kg	

- Vzhledem k neustálému výzkumu a vývoji zde uvedené technické údaje podléhají změnám bez upozornění.
- Specifikace se mohou pro různé země lišit.
- Hmotnost se může lišit v závislosti na nástavcích a přídatných zařízeních, včetně akumulátoru. Nejlehčí a nejtěžší kombinace, dle EPTA-Procedure 01/2014, jsou uvedeny v tabulce níže.

## Použitelný akumulátor a nabíječka

Akumulátor	BL1815N / BL1820B / BL1830B / BL1840B / BL1850B / BL1860B
Nabíječka	DC18RC / DC18RD / DC18RE / DC18SD / DC18SE / DC18SF / DC18SH

- V závislosti na regionu vašeho bydliště nemusí být některé akumulátory a nabíječky k dispozici.

**VAROVÁNÍ:** Používejte pouze výše uvedené akumulátory a nabíječky. Použití jiných akumulátorů a nabíječek může způsobit zranění a/nebo požár.

## Účel použití

Tento nástroj je určen pro vrtání do dřeva, kovů a plastů.

## Hlučnost

Typická vážená hladina hluku (A) určená podle normy EN62841-2-1:

Hladina akustického tlaku ( $L_{pA}$ ): 83 dB(A)  
Hladina akustického výkonu ( $L_{WA}$ ): 94 dB (A)  
Nejistota (K): 3 dB(A)

**POZNÁMKA:** Celková(é) hodnota(y) emisí hluku byla(y) změřena(y) v souladu se standardní zkušební metodou a dá se použít k porovnání nářadí mezi sebou.

**POZNÁMKA:** Hodnotu(y) deklarovaných emisí hluku lze také použít k předběžnému posouzení míry expozice vibracím.

**VAROVÁNÍ:** Používejte ochranu sluchu.

**VAROVÁNÍ:** Emise hluku se při používání elektrického nářadí ve skutečnosti mohou od deklarované(y) hodnot(y) lišit v závislosti na způsobech použití nářadí.

**VAROVÁNÍ:** Nezapomeňte stanovit bezpečnostní opatření na ochranu obsluhy podle odhadu expozice ve skutečných podmínkách použití. (Vezměte přitom v úvahu všechny části provozního cyklu, tj. kromě doby zátěže například doby, kdy je nářadí vypnuté a kdy běží naprázdno.)

## Vibrace

Celková hodnota vibrací (vektorový součet tří os) určená podle normy EN62841-2-1:

Pracovní režim: Vrtání do kovu  
Emise vibrací ( $a_{h,D}$ ): 2,5 m/s<sup>2</sup> nebo méně  
Nejistota (K): 1,5 m/s<sup>2</sup>

**POZNÁMKA:** Celková(é) hodnota(y) deklarovaných vibrací byla(y) změřena(y) v souladu se standardní zkušební metodou a dá se použít k porovnání nářadí mezi sebou.

**POZNÁMKA:** Celkovou(é) hodnotu(y) deklarovaných vibrací lze také použít k předběžnému posouzení míry expozice vibracím.

**VAROVÁNÍ:** Emise vibrací se při používání elektrického nářadí ve skutečnosti mohou od deklarované(y) hodnot(y) lišit v závislosti na způsobech použití nářadí.

**VAROVÁNÍ:** Nezapomeňte stanovit bezpečnostní opatření na ochranu obsluhy podle odhadu expozice ve skutečných podmínkách použití. (Vezměte přitom v úvahu všechny části provozního cyklu, tj. kromě doby zátěže například doby, kdy je nářadí vypnuté a kdy běží naprázdno.)

## Prohlášení ES o shodě

*Pouze pro evropské země*

Prohlášení ES o shodě je obsaženo v Příloze A tohoto návodu k obsluze.



# BEZPEČNOSTNÍ VÝSTRAHY

## Obecná bezpečnostní upozornění k elektrickému nářadí

**VAROVÁNÍ:** Přečtete si všechny bezpečnostní výstrahy i pokyny a prohlédněte si ilustrace a specifikace dodané k tomuto elektrickému nářadí. Nedodržení všech níže uvedených pokynů může vést k úrazu elektrickým proudem, požáru či vážnému zranění.

## Všechna upozornění a pokyny si uschovejte pro budoucí potřebu.

Pojem „elektrické nářadí“ v upozorněních označuje elektrické nářadí, které se zapojuje do elektrické sítě, nebo elektrické nářadí využívající akumulátory.

## Bezpečnostní upozornění k akumulátorovému šroubováku

### Bezpečnostní pokyny pro veškerou obsluhu

1. **Použijte pomocné držadlo (držadla).** Při ztrátě kontroly nad nářadím může dojít ke zranění.
2. **Při práci v místech, kde může dojít ke kontaktu řezacího příslušenství se skrytým elektrickým vedením, držte elektrické nářadí za izolované části držadel.** Řezací příslušenství může při kontaktu s vodičem pod napětím přenést proud do nechráněných částí nářadí a obsluha může utrpět úraz elektrickým proudem.
3. **Vždy zaujměte stabilní postoj. Při práci s nářadím ve výškách dbejte, aby se pod vámi nepohybovaly žádné osoby.**
4. **Držte nářadí pevně.**
5. **Nepřibližujte ruce k otáčejícím se částem.**
6. **Nenechávejte nářadí běžet bez dozoru. S nářadím pracujte, jen když je držíte v rukou.**
7. **Nedotýkejte se bezprostředně po skončení práce vrtáku ani obrobku. Mohou být velmi horké a mohly by způsobit popáleniny kůže.**
8. **Některé materiály obsahují chemikálie, které mohou být jedovaté. Dávejte pozor, abyste nevdechovali prach nebo nedocházelo ke kontaktu s kůží. Dodržujte bezpečnostní pokyny dodavatele materiálu.**
9. **Pokud nelze vrták uvolnit ani po rozevření čelistí, vytáhněte jej pomocí kleští. Vytahování vrtáku rukou může mít za následek poranění kvůli jeho ostré hraně.**
10. **Pokud je s nářadím něco v nepořádku, například vydává neobvyklé zvuky, okamžitě přerušete práci a nechte nářadí opravit místním servisním střediskem společnosti Makita.**
11. **Před použitím se ujistěte, že v půdě nejsou žádné skryté předměty jako elektrické vedení nebo vodovodní či plynové potrubí. Jinak se jich může nářadí dotknout, což může mít za následek elektrický šok, únik vody či plynu.**

### Bezpečnostní pokyny pro použití dlouhých vrtáků

1. **Nikdy nepoužívejte vyšší rychlost, než je uvedená maximální rychlost vrtáku.** Při vyšších rychlostech je vyšší pravděpodobnost ohnutí vrtáku, pokud má možnost volně se otáčet, aniž by se dotýkal obrobku, což může způsobit zranění.
2. **S vrtáním vždy začněte při nižší rychlosti a tak, že se hrot vrtáku dotýká obrobku.** Při vyšších rychlostech je vyšší pravděpodobnost ohnutí vrtáku, pokud má možnost volně se otáčet, aniž by se dotýkal obrobku, což může způsobit zranění.
3. **Na nářadí zatlačte v přímé linii s vrtákem a nepoužívejte přílišný tlak.** Vrtáky se mohou ohýbat, čímž může dojít k jejich zlomení, ztrátě kontroly nebo ke zranění.

## TYTO POKYNY USCHOVEJTE.

**VAROVÁNÍ:** NEDOVOLTE, aby pohodlnost nebo pocit znalosti výrobku (získané na základě předchozího použití) vedl k zanedbání dodržování bezpečnostních pravidel platných pro tento výrobek. **NESPRÁVNÉ POUŽÍVÁNÍ** či nedodržení bezpečnostních pravidel uvedených v tomto návodu k obsluze může způsobit vážné zranění.

## Důležitá bezpečnostní upozornění pro akumulátor

1. **Před použitím akumulátoru si přečtete všechny pokyny a varovné symboly na (1) nabíječe, (2) akumulátoru a (3) výrobku využívajícím akumulátor.**
2. **Nerozebírejte akumulátor ani do něj nikdy nezasaďte.** Může dojít k požáru, nadměrnému zahřátí nebo výbuchu.
3. **Pokud se příliš zkrátí provozní doba akumulátoru, přerušete okamžitě práci. V opačném případě existuje riziko přehřívání, popálení nebo dokonce výbuchu.**
4. **Budou-li vaše oči zasázeny elektrolytem, vypláchněte je čistou vodou a okamžitě vyhledejte lékařskou pomoc. Může dojít ke ztrátě zraku.**
5. **Akumulátor nezkratujte:**
  - (1) **Nedotýkejte se svorek žádným vodivým materiálem.**
  - (2) **Neskladujte akumulátor v nádobě s jinými kovovými předměty, jako jsou hřebíky, mince, apod.**
  - (3) **Nevystavujte akumulátor vodě a dešti. Zkrat akumulátoru může způsobit velký průtok proudu, přehřátí, možné popálení a dokonce i poruchu.**
6. **Neskladujte a nepoužívejte nářadí a akumulátor na místech, kde může teplota překročit 50 °C (122 °F).**
7. **Nespalujte akumulátor, ani když je vážně poškozen nebo úplně opotřeбен. Akumulátor může v ohni vybuchnout.**
8. **Akumulátor nesmí být proražen hřebíkem, řezán, drcen, házen či upuštěn na zem, ani nesmí dojít k nárazu tvrdého předmětu do něj. Taková situace může způsobit požár, nadměrné zahřátí či výbuch.**

9. **Nepoužívejte poškozené akumulátory.**
10. **Obsažené lithium-iontové akumulátory podléhají právním požadavkům na nebezpečné zboží.** V případě komerční přepravy například externími dopravci je třeba dodržet zvláštní požadavky na balení a značení.  
Pro přepravu zboží k přepravě je nutná konzultace s odborníkem na nebezpečný materiál. Dodržujte také případné podrobnější národní předpisy.  
Odkryté kontakty přelepte izolační páskou či jinak zakryjte a akumulátory zabalte tak, aby se v balení nemohly pohybovat.
11. **Při likvidaci akumulátoru jej vyjměte z nářadí a zlikvidujte jej na bezpečném místě. Při likvidaci akumulátoru postupujte podle místních předpisů.**
12. **Akumulátor používejte pouze s výrobky specifikovanými společností Makita.** Instalace akumulátoru do nevyhovujících výrobků může způsobit požár, nadměrné zahřívání, explozi nebo únik elektrolytu.
13. **Pokud nářadí delší dobu nepoužíváte, je nutné z něj akumulátor vyjmout.**
14. **Během a po použití se může akumulátor zahřát, což může způsobit popáleniny nebo podráždění. Při manipulaci s horkými akumulátory dávejte pozor.**
15. **Nedotýkejte se koncovky na nářadí ihned po použití, protože ta může být horká a způsobit popáleniny.**
16. **Do koncovek, otvorů a zdířek na akumulátoru se nesmí dostat piliny, prach nebo jiné nečistoty.** Mohlo by tím dojít ke zhoršení výkonu nebo poruše nářadí či akumulátoru.
17. **Jestliže nářadí není zkonstruováno tak, že jej lze používat v blízkosti vysokého elektrického napětí, nepoužívejte akumulátor poblíž vedení s vysokým elektrickým napětím.** Mohlo by tím dojít k poruše či selhání nářadí či akumulátoru.
18. **Akumulátor uchovávejte mimo dosah dětí.**

## TYTO POKYNY USCHOVEJTE.

**⚠ UPOZORNĚNÍ:** Používejte pouze originální akumulátory Makita. Používání neoriginálních nebo upravených akumulátorů může způsobit explozi akumulátoru a následný požár, zranění a jiné poškození. Zaniká tím také záruka společnosti Makita na nářadí a nabíječku Makita.

## Typy k zajištění maximální životnosti akumulátoru

1. **Akumulátor nabíjete dříve, než dojde k jeho úplnému vybití. Pokud si povšimnete sníženého výkonu nářadí, vždy jej zastavte a dobijte akumulátor.**
2. **Nikdy nenabíjete úplně nabitý akumulátor. Přebíjení zkracuje životnost akumulátoru.**
3. **Akumulátor dobíjete při pokojové teplotě od 10 °C do 40 °C (50 °F až 104 °F). Před nabíjením nechejte horký akumulátor zchladnout.**
4. **Když není akumulátor používán, vyjměte ho z nářadí či nabíječky.**
5. **Pokud se akumulátor delší dobu nepoužívá (déle než šest měsíců), je nutno jej dobít.**

## POPIS FUNKCÍ

**⚠ UPOZORNĚNÍ:** Před nastavováním nářadí nebo kontrolou jeho funkce se vždy přesvědčte, zda je vypnuté a je vyjmutý akumulátor.

## Nasazení a sejmutí akumulátoru

**⚠ UPOZORNĚNÍ:** Před nasazením či sejmutím akumulátoru nářadí vždy vypněte.

**⚠ UPOZORNĚNÍ:** Při nasazování či snímání akumulátoru pevně držte nářadí i akumulátor. V opačném případě vám může nářadí nebo akumulátor vyklouznout z rukou a mohlo by dojít k jejich poškození či ke zranění.

- **Obr.1:** 1. Červený indikátor 2. Tlačítko 3. Akumulátor

Chcete-li akumulátor sejmout, vysuňte jej se současným přesunutím tlačítka na přední straně akumulátoru. Při nasazování akumulátoru vyrovnejte jazýček na akumulátoru s drážkou v krytu a zasuňte akumulátor na místo. Akumulátor zasuňte na doraz, až zacvakne na své místo. Není-li tlačítko zcela zajištěno, uvidíte na jeho horní straně červený indikátor.

**⚠ UPOZORNĚNÍ:** Akumulátor zasunujte vždy zcela tak, aby nebyl červený indikátor vidět. Jinak by mohl akumulátor ze zařízení vypadnout a způsobit zranění obsluze či přihlížejícím osobám.

**⚠ UPOZORNĚNÍ:** Akumulátor nenasazujte násilím. Nelze-li akumulátor zasunout snadno, nevkládáte jej správně.

## Indikace zbývajících kapacity akumulátoru

*Pouze pro akumulátory s diodovým ukazatelem*

- **Obr.2:** 1. Kontrolky 2. Tlačítko kontroly

Stisknutím tlačítka kontroly na akumulátoru zjistíte zbývajících kapacitu akumulátoru. Kontrolky indikátoru se na několik sekund rozsvítí.

Kontrolky			Zbývajících kapacita
Svítil	Nesvítil	Bliká	
			75 % až 100 %
			50 % až 75 %
			25 % až 50 %
			0 % až 25 %
			Nabíjete akumulátor.
			Došlo pravděpodobně k poruše akumulátoru.



**POZNÁMKA:** Kapacita udávaná indikátorem se může mírně lišit od skutečné kapacity v závislosti na podmínkách používání a teplotě prostředí.

**POZNÁMKA:** První kontrolka (zcela vlevo) bude blíkat, když je systém ochrany akumulátoru v provozu.

## Systém ochrany nářadí a akumulátoru

Nářadí je vybaveno systémem ochrany nářadí a akumulátoru. Tento systém automaticky přeruší napájení motoru, aby se prodloužila životnost nářadí a akumulátoru. Budou-li nářadí nebo akumulátor vystaveny některé z níže uvedených podmínek, nářadí se během provozu automaticky vypne:

### Ochrana proti přetížení

Pokud se s nástrojem/akumulátorem pracuje způsobem vyvolávajícím mimořádně vysoký odběr proudu, nástroj se automaticky vypne. V takové situaci nástroj vypněte a ukončete činnost, při níž došlo k přetížení nástroje. Potom nástroj zapněte a obnovte činnost.

### Ochrana proti přehřátí

Při přehřátí nářadí/akumulátoru se nářadí automaticky vypne a světlo začne blikat. V takovém případě nechte nářadí před opětovným zapnutím vychladnout.

### Ochrana proti přílišnému vybití

V případě nedostačující kapacity akumulátoru se nářadí automaticky vypne. V takovém případě vyjměte akumulátor z nářadí a nabijte jej.

## Používání spouště

**▲ UPOZORNĚNÍ:** Před vložením akumulátoru do nářadí vždy zkontrolujte správnou funkci spouště, a zda se po uvolnění vrací do vypnuté polohy.

► Obr.3: 1. Spoušť

Chcete-li nářadí uvést do chodu, stiskněte spoušť. Otáčky nářadí se zvyšují zvyšováním tlaku na spoušť. Chcete-li nářadí vypnout, uvolněte spoušť.

**POZNÁMKA:** Podržte-li spoušť stisknutou asi 6 minut, nářadí se automaticky vypne.

## Rozsvícení předního světla

**▲ UPOZORNĚNÍ:** Nedívejte přímo do světla nebo jeho zdroje.

► Obr.4: 1. Světlo

Při stisknutí spouště se rozsvítí světlo. Světlo svítí po celou dobu stisknutí spouště. Světlo zhasne přibližně 10 sekund po uvolnění spouště.

**POZNÁMKA:** Při přehřátí se nářadí automaticky vypne a rozblíká se světlo. V takové situaci uvolněte spoušť. Světlo zhasne během 1 minut(y).

**POZNÁMKA:** K otření nečistot ze skla světla použijte suchý hadřík. Dbejte, abyste sklo světla nepoškrábali. Mohlo by dojít ke snížení svítivosti.

## Přepínání směru otáčení

**▲ UPOZORNĚNÍ:** Před zahájením provozu vždy zkontrolujte nastavený směr otáčení.

**▲ UPOZORNĚNÍ:** Směr otáčení přepínejte až po úplném zastavení nářadí. Provedete-li změnu směru otáčení před zastavením nářadí, může dojít k jeho poškození.

**▲ UPOZORNĚNÍ:** Pokud nářadí nepoužíváte, vždy přesuňte přepínací páčku směru otáčení do neutrální polohy.

Toto nářadí je vybaveno přepínačem směru otáčení. Stisknutím přepínací páčky směru otáčení ze strany A se nástroj otáčí ve směru hodinových ručiček, zatímco při stisknutí ze strany B proti směru hodinových ručiček. Je-li přepínací páčka směru otáčení v neutrální poloze, nelze stisknout spínací páčku nástroje.

► Obr.5: 1. Přepínací páčka směru otáčení

## Změna otáček

**POZOR:** Ovladač změny otáček použijte až po úplném zastavení nářadí. Provedete-li změnu otáček před zastavením nářadí, může dojít k jeho poškození.

**POZOR:** Ovladač regulace otáček vždy pečlivě přesuňte do správné polohy. Budete-li nářadí používat s ovladačem regulace otáček umístěným mezi polohami 1 a 2, může dojít k poškození nářadí.

**POZOR:** Pokud za provozu v režimu vysokých otáček rychlost otáček výrazně klesne, zastavte nástroj a změňte režim na režim nízkých otáček. Jinak může dojít k přetížení motoru a poruše nebo požáru.

Ovladačem regulace otáček lze volit dva různé rozsahy otáček.

Budete-li měnit otáčky, otočte ovladač regulace otáček tak, aby ukazatel ukazoval na polohu 1 při režimu nízké rychlosti a na polohu 2 při režimu vysoké rychlosti.

► Obr.6: 1. Ukazatel 2. Ovladač regulace otáček

## Elektronické funkce

### Elektrická brzda

Toto nářadí je vybaveno elektrickou brzdou. Jestliže se opakovaně stane, že se nářadí zastaví po uvolnění spouště pomalu, nechejte provést servis nářadí v servisním středisku Makita.

### Funkce měkkého spuštění

Tato funkce umožňuje plynulé spuštění nástroje omezením počátečního točivého momentu.

## SESTAVENÍ

**⚠ UPOZORNĚNÍ:** Před prováděním jakýchkoli prací na nářadí se vždy přesvědčte, zda je vypnuté a je vyjmutý akumulátor.

### Instalace boční rukojeti (pomocného držadla)

**⚠ UPOZORNĚNÍ:** Dávejte pozor, aby boční rukojeť byla vždy před prací pevně nainstalovaná.

Přišroubujte pevně boční rukojeť na nářadí. Boční rukojeť lze nainstalovat na kteroukoli stranu nářadí podle toho, co je pro uživatele pohodlnější.

► **Obr.7:** 1. Boční rukojeť

### Instalace držáku klíče

*(Specifické podle země)*

**⚠ UPOZORNĚNÍ:** Dávejte pozor, aby držák klíče byl vždy před prací pevně nainstalován.

Přišroubujte pevně držák klíče na nářadí. Poté vložte klíč sklíčidla na místo.

► **Obr.8:** 1. Držák klíče 2. Šroub 3. Klíč sklíčidla

### Nasazení nebo vyjmutí vrtáku

Chcete-li nasadit vrták, vložte jej co nejdále do sklíčidla. Sklíčidlo dotáhněte rukou. Zasaňte klíč sklíčidla do každého ze tří otvorů a utahujte ve směru hodinových ručiček. Dbejte na rovnoměrné utahení všech tří otvorů ve sklíčidle.

Chcete-li vrták vyjmout, otáčejte klíčem v jednom otvoru sklíčidla proti směru hodinových ručiček a pak sklíčidlo povolte rukou.

► **Obr.9:** 1. Klíč sklíčidla

Po použití vraťte klíč sklíčidla do držáku klíče na nářadí, jak znázorňuje obrázek.

► **Obr.10:** 1. Držák klíče

### Hák

**⚠ UPOZORNĚNÍ:** Při zavěšování nářadí za hák vždy vyjměte akumulátor.

**⚠ UPOZORNĚNÍ:** Nikdy nástroj nezavěšujte ve výšce nebo na potenciálně nestabilním povrchu.

Háček je vhodný k dočasnému pověšení nářadí.

Chcete-li háček použít, jednoduše jej vyklopte, až zacvakne do otevřené polohy. Když háček nepoužíváte, vždy jej sklopte, až zacvakne do zavěšené polohy.

► **Obr.11:** 1. Hák

► **Obr.12**

## Připojování šňůry (upevňovacího pásu) k háku

**⚠ UPOZORNĚNÍ:** Nepoužívejte poškozený hák a šrouby. Před použitím vždy překontrolujte poškození, praskliny nebo deformace a zkontrolujte, zda jsou šrouby utažené.

**⚠ UPOZORNĚNÍ:** Ujistěte se, že je hák pevně přimontován pomocí šroubů.

**⚠ UPOZORNĚNÍ:** Během zavěšování nářadí neinstalujte ani neodebírejte žádné příslušenství. Nářadí může spadnout, pokud nejsou šrouby utaženy.

**⚠ UPOZORNĚNÍ:** Vždy používejte zajišťovací karabinu (vícefunkční a šroubovací) a ujistěte se, že je šňůra (upevňovací pás) připojena k části háku s dvojitou smyčkou. Nesprávné připojení může způsobit pád nářadí z háku a následně zranění osob.

Hák je rovněž určen k připojení šňůry (upevňovacího pásu). Nezapomeňte připojit šňůru (upevňovací pás) k části háku s dvojitou smyčkou.

► **Obr.13:** 1. Část háku s dvojitou smyčkou 2. Šňůra (upevňovací pás) 3. Zajišťovací karabina (vícefunkční a šroubovací)

## PRÁCE S NÁŘADÍM

**⚠ UPOZORNĚNÍ:** Akumulátor zasunujte vždy až na doraz, dokud není zajištěn na svém místě. Není-li tlačítko zcela zajištěno, uvidíte na jeho horní straně červený indikátor. Zasaňte akumulátor zcela tak, aby nebyl červený indikátor vidět. Jinak by mohl akumulátor z nářadí vypadnout a způsobit zranění obsluhy či osob v okolí.

**⚠ UPOZORNĚNÍ:** Při výrazném snížení otáček omezte zatížení nebo nářadí vypněte, aby nedošlo k jeho poškození.

**⚠ UPOZORNĚNÍ:** Při práci držte nářadí pevně.

### Držení nářadí

**⚠ UPOZORNĚNÍ:** Toto nářadí je výkonné. Je schopno vyvinout vysoký točivý moment a je důležité ho držet bezpečně a pevně.

Držadlo uchopte jednou rukou a přední rukojeť druhou.

► **Obr.14:** 1. Přední držadlo 2. Držadlo

### Vrtání

#### Vrtání do dřeva

Vrtáte-li do dřeva, nejlepší výsledky dosáhnete použitím vrtáků do dřeva s vodícím šroubem. Vodící šroub usnadňuje vrtání tím, že vtahuje vrták do obrobku.

## Vrtání do kovu

Abyste zabránili smeknutí vrtáku na začátku vrtání, udělejte si v místě, kde chcete vrtat, pomocí kládva a důlčičku důlek. Nasaďte hrot vrtáku do důlku a začněte vrtat. Při vrtání do kovů použijte řeznou kapalinu. Výjimkou je železo a mosaz, které je třeba vrtat nasucho.

**▲UPOZORNĚNÍ:** Nadměrným tlakem na nářadí vrtání neurčhlíte. Ve skutečnosti tento nadměrný tlak vede jen k poškození hrotu vrtáku, snížení účinnosti nářadí a zkrácení jeho životnosti.

**▲UPOZORNĚNÍ:** Držte nářadí pevně a dávejte pozor, jakmile vrták začne pronikat do obrobku. V okamžiku, kdy nástroj/vrták proniká materiálem, působí na nářadí a vrták značné síly.

**▲UPOZORNĚNÍ:** Uvизnutý vrták lze jednoduše uvolit přepnutím přepínače směru otáčení do opačné polohy. Pokud však nářadí nedržíte pevně, může nečekaně vyskočit.

**▲UPOZORNĚNÍ:** Obrobky vždy upínejte do svěráku či do podobného upevňovacího zařízení.

**▲UPOZORNĚNÍ:** Nevrtajte do materiálu, u kterého předpokládáte, že obsahuje skryté hřebíky nebo jiné věci, které mohou způsobit uviznutí nebo prasknutí vrtáku.

**▲UPOZORNĚNÍ:** Je-li nářadí provozováno nepřetržitě až do vybití akumulátoru, nechte nářadí po instalaci nabitého akumulátoru před dalším pokračováním v práci 15 minut v klidu.

## Připojení šňůry (upevňovacího pásu)

**▲Bezpečnostní varování specifická pro práce ve výškách**

Přečtete si veškerá bezpečnostní upozornění a všechny pokyny. Zanedbání dodržování upozornění a pokynů může mít za následek vážné zranění.

1. Při práci ve výškách mějte nářadí vždy připravené pomocí upevňovacího pásu či šňůry. Maximální délka šňůry je 2 m (6,5 ft). Šňůra (upevňovací pás) nesmí připouštět výšku možného pádu větší než 2 m (6,5 ft).
2. Používejte pouze šňůry doporučené pro tento typ nářadí a s nosností minimálně 5,0 kg (11,0 lbs).
3. Nepřipevňujte šňůru nářadí k čemukoliv na svém těle nebo k pohyblivým předmětům. Upevněte šňůru nářadí k pevnému bodu, který odolá silám při pádu nářadí.
4. Před použitím se ujistěte, že je šňůra správně připravena na obou koncích.
5. Zkontrolujte nářadí a šňůru před každým použitím, zda nejsou poškozené a fungují správně (včetně látky a stehů). Při poškození nebo nesprávné funkci nepoužívejte.
6. Neomotávejte šňůru kolem ostrých nebo drsných hran a zabraňte, aby s nimi přišla do styku.
7. Připojte druhý konec šňůry mimo pracovní oblast tak, aby bylo případné padající nářadí pevně zachyceno.

8. Šňůru připevňte tak, aby se padající nářadí pohybovalo směrem od obsluhy. Upuštěné nářadí se na šňůře zhoupne, což může způsobit zranění nebo ztrátu rovnováhy.
9. **Nepoužívejte poblíž pohyblivých částí nebo běžících strojů.** V opačném případě může vzniknout riziko rozdrčení nebo zachycení.
10. **Nepřenášejte nářadí za nástavec nebo šňůru.**
11. **Nářadí předávejte z jedné ruky do druhé jen tehdy, jestliže máte dostatečnou rovnováhu.**
12. **Nepřipevňujte šňůru k nářadí takovým způsobem, který brání správné funkci krytů, spínačů a pojistek.**
13. **Dávejte pozor, abyste se do šňůry nezamotali.**
14. **Nepřibližujte šňůru ke stříhací oblasti nářadí.**
15. **Používejte vícečinné nebo šroubovací karabiny. Nepoužívejte jednočinné pružinové karabiny.**
16. **Upuštěné nářadí musí být označeno a vyřazeno z používání. Musí jej prohlédnout společnost Makita nebo autorizované servisní centrum.**

## ÚDRŽBA

**▲UPOZORNĚNÍ:** Před zahájením kontroly nebo údržby nářadí se vždy ujistěte, zda je vypnuté a je vyjmut akumulátor.

**POZOR:** Nikdy nepoužívejte benzín, benzen, ředidlo, alkohol či podobné prostředky. Mohlo by tak dojít ke změně barvy, deformacím či vzniku prasklin.

K zachování BEZPEČNOSTI a SPOLEHLIVOSTI výrobku musí být opravy a veškerá další údržba či seřizování prováděny autorizovanými nebo továrními servisními střediskými společnostmi Makita s využitím náhradních dílů Makita.

## VOLITELNÉ PŘÍSLUŠENSTVÍ

**▲UPOZORNĚNÍ:** Pro nářadí Makita popsané v tomto návodu doporučujeme používat následující příslušenství a nástavce. Při použití jiného příslušenství či nástavců může hrozit nebezpečí zranění osob. Příslušenství lze používat pouze pro stanovené účely.

Potřebujete-li bližší informace ohledně tohoto příslušenství, obraťte se na místní servisní středisko společnosti Makita.

- Vrtáky
- Originální akumulátor a nabíječka Makita

**POZNÁMKA:** Některé položky seznamu mohou být k nářadí přibaleny jako standardní příslušenství. Přibalené příslušenství se může v různých zemích lišit.

## ТЕХНІЧНІ ХАРАКТЕРИСТИКИ

<b>Модель:</b>		<b>DDA450</b>	
Зубчасте колесо перемикачів коробки швидкостей		Висока	Низька
Максимальний діаметр свердління	Сталь	13 мм	
	Деревина	Гвинтове свердло: 38 мм Свердло з автоматичною подачею: 50 мм Кільцева пила: 101 мм	Гвинтове свердло: 38 мм Свердло з автоматичною подачею: 65 мм Кільцева пила: 127 мм
Частота обертання в режимі холостого ходу		0 – 1 400 хв <sup>-1</sup>	0–450 хв <sup>-1</sup>
Загальна довжина (з касетою з акумулятором BL1860B)		434 мм	
Номинальна напруга		18 В пост. струму	
Маса нетто		3,2–3,5 кг	

- Оскільки наша програма наукових досліджень і розробок триває безперервно, наведені тут технічні характеристики можуть бути змінені без попередження.
- У різних країнах технічні характеристики можуть бути різними.
- Вага може відрізнятись залежно від допоміжного обладнання, наприклад касети з акумулятором. Найлегші та найважчі комплекти, відповідно до стандарту ЕРТА (Європейська асоціація виробників електроінструменту) від січня 01/2014 року, представлено в таблиці.

### Застосовна касета з акумулятором і зарядний пристрій

Касета з акумулятором	BL1815N / BL1820B / BL1830B / BL1840B / BL1850B / BL1860B
Зарядний пристрій	DC18RC / DC18RD / DC18RE / DC18SD / DC18SE / DC18SF / DC18SH

- Деякі касети з акумулятором і зарядні пристрої, які вказано вище, можуть бути недоступними залежно від вашого регіону або місця перебування.

**⚠ ПОПЕРЕДЖЕННЯ:** Використовуйте лише касети з акумулятором і зарядні пристрої, перелічені вище. Використання будь-яких інших касет з акумулятором і зарядних пристроїв може призвести до травмування й/або пожежі.

### Призначення

Інструмент призначено для свердління деревини, металу й пластмас.

### Шум

Рівень шуму за шкалою А в типовому виконанні, визначений відповідно до стандарту EN62841-2-1:  
Рівень звукового тиску ( $L_{pA}$ ): 83 дБ (А)  
Рівень звукової потужності ( $L_{WA}$ ): 94 дБ (А)  
Похибка (К): 3 дБ (А)

**ПРИМІТКА:** Заявлене значення шуму було виміряно відповідно до стандартних методів тестування й може використовуватися для порівняння одного інструмента з іншим.

**ПРИМІТКА:** Заявлене значення шуму може також використовуватися для попереднього оцінювання впливу.

**⚠ ПОПЕРЕДЖЕННЯ:** Користуйтеся засобами захисту органів слуху.

**⚠ ПОПЕРЕДЖЕННЯ:** Залежно від умов використання рівень шуму під час фактичної роботи електроінструмента може відрізнятись від заявленого значення вібрації; особливо сильно на це впливає тип деталі, що оброблюється.

**⚠ ПОПЕРЕДЖЕННЯ:** Забезпечте належні запобіжні заходи для захисту оператора, що відповідатимуть умовам використання інструмента (слід брати до уваги всі складові робочого циклу, як-от час, коли інструмент вимкнено та коли він починає працювати на холостому ході під час запуску).

### Вібрація

Загальна величина вібрації (векторна сума трьох напрямків) визначена згідно з EN62841-2-1:  
Режим роботи: свердління металу  
Вібрація ( $a_{h,D}$ ): 2,5 м/с<sup>2</sup> або менше  
Похибка (К): 1,5 м/с<sup>2</sup>

**ПРИМІТКА:** Заявлене загальне значення вібрації було виміряно відповідно до стандартних методів тестування й може використовуватися для порівняння одного інструмента з іншим.

**ПРИМІТКА:** Заявлене загальне значення вібрації може також використовуватися для попереднього оцінювання впливу.

**▲ ПОПЕРЕДЖЕННЯ:** Залежно від умов використання вібрація під час фактичної роботи електроінструмента може відрізнятися від заявленого значення вібрації; особливо сильно на це впливає тип деталі, що оброблюється.

**▲ ПОПЕРЕДЖЕННЯ:** Забезпечте належні запобіжні заходи для захисту оператора, що відповідатимуть умовам використання інструмента (слід брати до уваги всі складові робочого циклу, як-от час, коли інструмент вимкнено та коли він починає працювати на холостому ході під час запуску).

## Декларація про відповідність стандартам ЄС

*Тільки для країн Європи*

Декларацію про відповідність стандартам ЄС наведено в Додатку А до цієї інструкції з експлуатації.

## ПОПЕРЕДЖЕННЯ ПРО ДОТРИМАННЯ ТЕХНІКИ БЕЗПЕКИ

### Загальні застереження щодо техніки безпеки при роботі з електроінструментами

**▲ ПОПЕРЕДЖЕННЯ:** Уважно ознайомтеся з усіма попередженнями про дотримання правил техніки безпеки, інструкціями, ілюстраціями та технічними характеристиками, що стосуються цього електроінструмента. Невиконання будь-яких інструкцій, перелічених нижче, може призвести до ураження електричним струмом, пожежі та/або тяжких травм.

### Збережіть усі інструкції з техніки безпеки та експлуатації на майбутнє.

Термін «електроінструмент», зазначений у інструкції з техніки безпеки, стосується електроінструмента, який функціонує від електромережі (електроінструмент з кабелем живлення), або електроінструмента з живленням від батареї (безпроводний електроінструмент).

## Попередження про необхідну обережність під час роботи з бездротовим дрилем

### Інструкції з техніки безпеки під час виконання робіт

1. Використовуйте додаткові ручки. Утрата контролю над інструментом може призвести до травмування.
2. Тримайте електроінструмент за спеціальні ізольовані поверхні під час роботи в місцях, де різальне приладдя може зачепити приховану електропроводку. Торкання різальним приладдям дроту під напругою може призвести до передавання напруги до оголених металевих частин інструмента й до ураження оператора електричним струмом.
3. Обов'язково забезпечте надійну опору. При виконанні робіт з інструментом на висоті переконайтеся, що внизу нікого немає.
4. Тримайте інструмент міцно.
5. Не торкайтеся руками деталей, що обертаються.
6. Не залишайте інструмент, який працює. Працюйте з інструментом тільки тоді, коли тримаєте його в руках.
7. Не торкайтеся свердла або оброблюваної деталі одразу після свердління; вони можуть бути дуже гарячими й спричинити опіки шкіри.
8. Деякі матеріали мають у своєму складі токсичні хімічні речовини. Будьте обережні, щоб не допустити вдихання пилу та його контакту зі шкірою. Дотримуйтеся правил техніки безпеки виробника матеріалу.
9. Якщо свердло не можна відпустити навіть за відкритих лещат, витягніть його за допомогою плоскогубців. Витягування свердла руками в такому випадку може призвести до поранення його гострим краєм.
10. У разі появи проблем у роботі інструмента, наприклад незвичних звуків, негайно припиніть роботу та зверніться до місцевого сервісного центру компанії Makita для проведення ремонту.
11. Перед початком роботи переконайтеся в тому, що під поверхню землі не проходять лінії електропостачання, водопроводи або газопроводи. Контакт інструмента з такими об'єктами призведе до удару електричним струмом, витoku струму або газу.

### Інструкції з техніки безпеки під час використання подовжених свердел

1. Заборонено працювати на робочій частоті, яка перевищує максимальне номінальне значення для свердла. На вищих робочих частотах свердло може зігнути, якщо обертатиметься вільно без контакту із заготівкою, що може призвести до травми.
2. Завжди починайте свердління на низькій робочій частоті, притиснувши кінчик свердла до заготівки. На вищих робочих частотах свердло може зігнути, якщо обертатиметься вільно без контакту із заготівкою, що може призвести до травми.
3. Тисніть на інструмент тільки за віссю свердла й не притискайте його занадто сильно. Свердла можуть зігнути, що призведе до поломки або втрати контролю – це може стати причиною травми.

## ЗБЕРІГАЙТЕ ЦІ ВКАЗІВКИ.

**▲ПОПЕРЕДЖЕННЯ:** НИКОЛИ НЕ втрачайте пильності та не розслабляйтеся під час користування виробом (що можливо при частому використанні); обов'язково строго дотримуйтеся відповідних правил безпеки. **НЕНАЛЕЖНЕ ВИКОРИСТАННЯ** або недотримання правил безпеки, викладених у цій інструкції з експлуатації, може призвести до серйозних травм.

## Важливі інструкції з безпеки для касети з акумулятором

1. Перед тим як користуватися касетою з акумулятором, слід прочитати всі інструкції та застережні знаки щодо (1) зарядного пристрою акумулятора, (2) акумулятора та (3) виробів, що працюють від акумулятора.
2. Не розбирайте касету з акумулятором і не змінюйте її конструкцію. Це може призвести до пожежі, перегріву або вибуху.
3. Якщо період роботи дуже покортшав, слід негайно припинити користування. Це може призвести до виникнення ризику перегріву, опіку та навіть вибуху.
4. У разі потраплення електрилі в очі слід промити їх чистою водою та негайно звернутися до лікаря. Це може призвести до втрати зору.
5. Не закоротіть касету з акумулятором.
  - (1) Не слід торкатися клею будь-яким струмопровідним матеріалом.
  - (2) Не слід зберігати касету з акумулятором у ємності з іншими металевими предметами, такими як цвяхи, монети тощо.
  - (3) Не залишайте касету з акумулятором під дощем, запобігайте контакту з водою.Коротке замикання може призвести до появи значного струму, перегріву, можливих опіків та навіть виходу з ладу.
6. Не слід зберігати й використовувати інструмент і касету з акумулятором у місцях, де температура може сягнути чи перевищити 50 °C (122 °F).
7. Не слід спалювати касету з акумулятором, навіть якщо вона була неодноразово пошкоджена або повністю спрацьована. Касета з акумулятором може вибухнути у вогні.
8. Заборонено забивати цвяхи в касету з акумулятором, різати, ламати, кидати, впускати касету з акумулятором або вдаряти її твердим предметом. Це може призвести до пожежі, перегріву або вибуху.
9. Не слід використовувати пошкоджений акумулятор.
10. Літій-іонні акумулятори, що містяться в інструменті, мають відповідати вимогам законів про небезпечні товари.

Під час транспортування за допомогою комерційних перевезень, наприклад із залученням третьої сторони та експедиторів, необхідно дотримуватись особливих вимог, вказаних на пакуванні й у маркуванні. Під час підготування позиції до відправлення необхідно проконсультуватись зі спеціалістом з небезпечних матеріалів. Крім того, слід виконувати більш докладні національні настанови, якщо такі є.

Заклейте відкриті контакти стрічкою або заховайте їх і запакуйте акумулятор таким чином, щоб він не міг рухатися в пакуванні.

11. Для утилізації касети з акумулятором витягніть її з інструмента та утилізуйте безпечним способом. Дотримуйтеся норм місцевого законодавства щодо утилізації акумуляторів.
12. Використовуйте акумулятори лише з виробами, указаними компанією Makita. Установлення акумуляторів у невідповідні виробу може призвести до пожежі, надмірного нагрівання, вибуху чи витoku електрилі.
13. Якщо інструментом не користуватимуться протягом тривалого періоду часу, вийміть акумулятор з інструмента.
14. Під час і після використання касета з акумулятором може нагріватися, що може стати причиною опіків або низькотемпературних опіків. Будьте обережні під час поводження з гарячою касетою з акумулятором.
15. Не торкайтеся контактів інструмента відразу після використання, оскільки він може бути досить гарячим, щоб викликати опіки.
16. Не допускайте, щоб уламки, пил або земля прилипали до контактів, отворів і пазів на касеті з акумулятором. Це може привести до зниження експлуатаційних параметрів, поломки інструмента або касети з акумулятором.
17. Якщо інструмент не розраховано на використання поблизу високовольтних ліній електропередач, не використовуйте касету з акумулятором поблизу високовольтних ліній електропередач. Це може призвести до несправності, поломки інструмента або касети з акумулятором.
18. Тримайте акумулятор у недоступному для дітей місці.

## ЗБЕРІГАЙТЕ ЦІ ВКАЗІВКИ.

**▲ОБЕРЕЖНО:** Використовуйте тільки акумулятори Makita. Використання акумуляторів, інших ніж оригінальні акумулятори Makita, або акумуляторів, конструкцію яких було змінено, може призвести до вибуху акумулятора і спричинити пожежу, травму або пошкодження. У зв'язку з цим також буде анульовано гарантію Makita на інструмент Makita і на зарядний пристрій.

## Поради з забезпечення максимального строку експлуатації акумулятора

1. Касету з акумулятором слід заряджати до того, як він розрядиться повністю. Завжди слід зупинити роботу інструмента та зарядити акумулятор, якщо ви помітили зменшення потужності інструмента.
2. Ніколи не слід заряджати повторно повністю заряджену касету з акумулятором. Перезарядження скорочує строк експлуатації акумулятора.
3. Заряджайте касету з акумулятором при кімнатній температурі 10°C - 40°C (50°F - 104°F). Перед тим як заряджати касету з акумулятором, слід зачекати, доки вона охолоне.
4. Коли касета з акумулятором не використовується, виймайте її з інструмента або зарядного пристрою.
5. Якщо касета з акумулятором не використовувалася тривалий час (понад шість місяців), її слід зарядити.



# ОПИС РОБОТИ

**⚠ ОБЕРЕЖНО:** Обов'язково переконайтеся, що прилад вимкнено, а касету з акумулятором знято, перед регулюванням або перевіркою функціонування інструмента.

## Встановлення та зняття касети з акумулятором

**⚠ ОБЕРЕЖНО:** Завжди вимикайте інструмент перед встановленням або зняттям касети з акумулятором.

**⚠ ОБЕРЕЖНО:** Під час встановлення або зняття касети з акумулятором слід міцно тримати інструмент та касету з акумулятором. Якщо ви утримуватимете інструмент та касету з акумулятором недостатньо міцно, вони можуть вислизнути з рук, що може призвести до пошкодження інструмента та касети з акумулятором або може спричинити травми.

► **Рис.1:** 1. Червоний індикатор 2. Кнопка 3. Касета з акумулятором

Щоб зняти касету з акумулятором, слід витягнути її з інструмента, натиснувши на кнопку в передній частині касети.

Щоб установити касету з акумулятором, слід сумістити виступ на касеті з акумулятором із пазом у корпусі та вставити касету на місце. Її необхідно вставити повністю, аж доки не почуєте клацання. Якщо на верхній частині кнопки помітний червоний індикатор, це означає, що касета з акумулятором установлена не до кінця.

**⚠ ОБЕРЕЖНО:** Завжди вставляйте касету з акумулятором повністю, щоб червоного індикатора не було видно. Якщо цього не зробити, касета може випадково випасти з інструмента та завдати травми вам або людям, що знаходяться поряд.

**⚠ ОБЕРЕЖНО:** Не встановлюйте касету з акумулятором із зусиллям. Якщо касета не вставляється легко, то це означає, що ви її неправильно вставляєте.

## Відображення залишкового заряду акумулятора

*Тільки для касет з акумулятором, які мають індикатори*

► **Рис.2:** 1. Індикаторні лампи 2. Кнопка перевірки

Натисніть кнопку перевірки на касеті з акумулятором для відображення залишкового ресурсу акумулятора. Індикаторні лампи загоряться на кілька секунд.

Індикаторні лампи			Залишковий ресурс
Горить	Вимк.	Блимає	
■	□	▧	від 75 до 100%
■ ■ ■ ■	■ ■ ■ ■	■ ■ ■ ■	від 50 до 75%
■ ■ ■ ■	□ □ □ □	□ □ □ □	від 25 до 50%
■ □ □ □	□ □ □ □	□ □ □ □	від 0 до 25%
▧ □ □ □	□ □ □ □	□ □ □ □	Зарядіть акумулятор.
■ ■ □ □	□ □ □ □	□ □ □ □	Можливо, акумулятор вийшов з ладу.
□ □ ■ ■	□ □ □ □	■ ■ ■ ■	

**ПРИМІТКА:** Залежно від умов використання та температури оточуючого середовища показання можуть незначним чином відрізнятися від дійсного ресурсу.

**ПРИМІТКА:** Перша (дальня ліва) індикаторна лампа блимає під час роботи захисної системи акумулятора.

## Система захисту інструмента/акумулятора

Інструмент оснащено системою захисту інструмента/акумулятора. Ця система автоматично вимикає живлення двигуна з метою збільшення терміну служби інструмента та акумулятора. Інструмент автоматично зупиняється під час роботи, якщо інструмент або акумулятор перебувають у зазначених нижче умовах.

### Захист від перевантаження

Якщо інструмент або акумулятор використовуються в умовах надмірного споживання струму, він автоматично зупиняється. У такому разі вимкніть інструмент і припиніть роботу, під час виконання якої інструмент зазнав перевантаження. Щоб перезапустити інструмент, увімкніть його знову.

### Захист від перегрівання

Якщо інструмент/акумулятор перегрівся, інструмент автоматично вимикається, а індикатор починає блимати. У такій ситуації зачекайте, доки інструмент охолоне, перш ніж знову його увімкнете.

### Захист від надмірного розрядження

Коли заряд акумулятора стає недостатнім для подальшої роботи, інструмент автоматично зупиняється. У такому випадку вийміть акумулятор з інструмента та зарядіть його.

## Дія вимикача

**⚠ ОБЕРЕЖНО:** Перед тим як вставляти касету з акумулятором в інструмент, обов'язково перевірте, чи курок вмикача спрацював належним чином та повертається у положення «ВИМК.», коли його відпускають.

► Рис.3: 1. Курок вмикача

Щоб запустити інструмент, натисніть курок вмикача. Для підвищення робочої швидкості інструмента натисніть курок вмикача сильніше. Відпустіть курок вмикача, щоб зупинити роботу.

**ПРИМІТКА:** Інструмент автоматично зупиняється у разі натискання на курок вмикача упродовж приблизно 6 хвилин.

## Увімкнення переднього підсвічування

**⚠ ОБЕРЕЖНО:** Не дивіться на світло або безпосередньо на джерело світла.

► Рис.4: 1. Лампа

Натисніть на курок вмикача, щоб увімкнути підсвічування. Лампа світиться, поки курок вмикача натиснуто. Підсвічування згасне приблизно за 10 секунд після відпускання курка вмикача.

**ПРИМІТКА:** Якщо інструмент перегрівся, він автоматично вимикається і лампа підсвічування починає блимати. У такому випадку відпустіть курок вмикача. Лампа підсвічування гасне через 1 хвилину.

**ПРИМІТКА:** Для очищення скла лампи підсвічування протріть її сухою тканиною. Будьте обережні, щоб не подряпати скло лампи підсвічування, тому що це погіршить освітлювання.

## Робота перемикача реверсу

**⚠ ОБЕРЕЖНО:** Перед початком роботи обов'язково перевіряйте напрям обертання.

**⚠ ОБЕРЕЖНО:** Перемикач реверсу можна використовувати тільки після повної зупинки інструмента. Зміна напрямку обертання до повної зупинки інструмента може призвести до його пошкодження.

**⚠ ОБЕРЕЖНО:** Коли інструмент не використовується, важіль перемикача реверсу повинен знаходитися в нейтральному положенні.

Цей інструмент обладнано перемикачем реверсу для зміни напрямку обертання. Для обертання за годинниковою стрілкою пересуньте важіль перемикача реверсу в положення А, проти годинникової стрілки — у положення В.

Якщо важіль перемикача реверсу знаходиться в нейтральному положенні, важіль вмикача потягнути неможливо.

► Рис.5: 1. Важіль перемикача реверсу

## Зміна швидкості

**УВАГА:** Використовуйте ручку зміни швидкості тільки після повної зупинки інструмента. Зміна швидкості обертання до повної зупинки інструмента може привести до його пошкодження.

**УВАГА:** Завжди встановлюйте ручку зміни швидкості в правильне положення до кінця. Якщо під час роботи з інструментом ручка зміни швидкості знаходиться у проміжному положенні між 1 і 2, це може привести до пошкодження інструмента.

**УВАГА:** У разі значного зниження частоти обертання в режимі високої частоти обертання зупиніть інструмент і перемикайте його в режим низької частоти обертання. Недотримання цієї вимоги може призвести до перевантаження двигуна й призвести до несправності чи пожежі.

За допомогою ручки зміни швидкості можна попередньо вибрати два діапазони швидкості. Для зміни швидкості поверніть кнопку регулювання частоти обертання, сумістивши покажчик із відміткою 1 для вибору режиму низької частоти обертання або з відміткою 2 для вибору режиму високої частоти обертання.

► Рис.6: 1. Покажчик 2. Кнопка регулювання швидкості

## Функції електронного обладнання

### Електричне гальмо

Цей інструмент обладнано електричним гальмом. Якщо після відпускання курка вмикача не відбувається швидкого припинення роботи інструмента, зверніться до сервісного центру Makita для обслуговування інструмента.

### Функція плавного запуску

Ця функція також забезпечує плавний запуск інструмента, обмежуючи обертальний момент під час пуску.

## ЗБОРКА

**⚠ ОБЕРЕЖНО:** Обов'язково переконайтеся, що прилад вимкнено, а касету з акумулятором знято, перш ніж проводити будь-які роботи з інструментом.

### Установка бокової рукоятки (допоміжна рукоятка)

**⚠ ОБЕРЕЖНО:** Перед початком роботи необхідно перевірити надійність кріплення бокової рукоятки.

Надійно пригвинтіть бокову рукоятку до інструмента. Для зручності бокову рукоятку можна встановлювати на будь-якій стороні інструмента.

► Рис.7: 1. Бокова рукоятка

## Установлення тримача ключа

(залежно від країни)

**⚠ ОБЕРЕЖНО:** Перед початком роботи необхідно перевірити надійність кріплення тримача ключа.

Надійно прикрутіть тримач ключа до інструмента. Потім вставте ключ патрона у відповідне положення.

► **Рис.8:** 1. Тримач ключа 2. Гвинт 3. Ключ патрона

## Установлення й зняття свердла

Щоб установити свердло, вставте його в патрон до упору. Затягніть патрон вручну. Вставте ключ патрона по черзі в кожен із трьох отворів і затягніть за годинниковою стрілкою. Затягування має бути рівномірним у всіх трьох отворах патрона.

Щоб зняти свердло, поверніть ключ патрона проти годинникової стрілки лише в одному з отворів, а потім вручну відкрутіть патрон.

► **Рис.9:** 1. Ключ патрона

Після використання ключ патрона слід помістити в тримач ключа в інструменті, як показано на рисунку.

► **Рис.10:** 1. Тримач ключа

## Скоба

**⚠ ОБЕРЕЖНО:** Підвішуючи інструмент за допомогою пристрою для підвішування, завжди знімайте акумулятор.

**⚠ ОБЕРЕЖНО:** Ніколи не підвішуйте інструмент за скобу високо й не залишайте його на потенційно нестійкій поверхні.

Скобу зручно використовувати для тимчасового підвішування інструмента.

Щоб скористатися скобою, просто підніміть її, щоб вона стала у відкрите положення з клацанням. Коли скоба не використовується, слід завжди опускати її в закрите положення з клацанням.

► **Рис.11:** 1. Скоба

► **Рис.12**

## Під'єднання стропа (страхувального ремня) до гачка

**⚠ ОБЕРЕЖНО:** Не використовуйте пошкоджені гачок і гвинти. Перед початком роботи проведіть огляд і переконайтеся в тому, що на інструменті відсутні пошкодження, тріщини або деформації, а також у тому, що гвинти затягнуто.

**⚠ ОБЕРЕЖНО:** Переконайтеся в тому, що гачок надійно затягнуто гвинтами.

**⚠ ОБЕРЕЖНО:** Не встановлюйте та не виймайте будь-які аксесуари, якщо інструмент підвішений за гачок. Інструмент може впасти, якщо гвинти не затягнуто.

**⚠ ОБЕРЕЖНО:** Завжди використовуйте муфтований карабін (універсальний та з гвинтовим затискачем) і прикріплюйте строп (страхувальний ремінь) до частини гачка з подвійною петлею. Неправильне прикріплення може призвести до падіння інструмента з гачка й травми.

Гачок також використовується для під'єднання стропа (страхувального ремня). Під'єднайте строп (страхувальний ремінь) до частини гачка з подвійною петлею.

► **Рис.13:** 1. Частина гачка з подвійною петлею  
2. Строп (страхувальний ремінь)  
3. Муфтований карабін (універсальний і з гвинтовим затискачем)

## РОБОТА

**⚠ ОБЕРЕЖНО:** Обов'язково вставляйте касету з акумулятором до кінця з фіксацією на місці. Якщо на верхній частині кнопки помітний червоний індикатор, це означає, що касета з акумулятором зафіксована не до кінця. Вставте касету повністю, щоб червоний індикатор зник. Якщо цього не зробити, касета може випадково випасти з інструмента та завдати травми вам або людям, що знаходяться поряд.

**⚠ ОБЕРЕЖНО:** Коли швидкість сильно знижується, слід зменшити навантаження або зупинити інструмент, щоб уникнути його пошкодження.

**⚠ ОБЕРЕЖНО:** Під час роботи міцно тримайте інструмент.

## Тримання інструмента

**⚠ ОБЕРЕЖНО:** Цей інструмент відрізняється високою потужністю. Він розвиває високий крутний момент, у зв'язку з чим цей інструмент слід міцно утримувати та правильно закріплювати.

Візьміться однією рукою за ручку, а другою рукою – за передню рукоятку.

► **Рис.14:** 1. Передня рукоятка 2. Рукоятка

## Свердління

### Свердління деревини

Під час свердління деревини найліпші результати можна отримати, використовуючи свердла для деревини, обладнані напрямним гвинтом. Напрямний гвинт полегшує свердління тим, що він втягує свердло в оброблювану деталь.

### Свердління металу

Щоб запобігти зісковзуванню свердла на початку свердління отвору, місце свердління необхідно накернити за допомогою керна та молотка. Встановіть кінчик свердла в накернене місце та почніть свердління.

Під час свердління металу слід використовувати мастильно-охолоджувальну рідину. Винятком є чавун та талун, які свердлять насухо.

**⚠ОБЕРЕЖНО:** Прикладання до інструмента надмірного тиску не пришвидшує свердління. Насправді надмірний тиск може лише пошкодити свердло, погіршити характеристики інструмента та скоротити термін його експлуатації.

**⚠ОБЕРЕЖНО:** Слід тримати інструмент міцно та бути обережним, коли свердло починає входити в оброблювану деталь. Під час пробивання отвору до інструмента/свердла прикладається величезне зусилля.

**⚠ОБЕРЕЖНО:** Свердло, яке застрягло, можна легко видалити, встановивши важіль перемикача реверсу на зворотний напрямок обертання, щоб отримати задній хід. Але якщо інструмент не тримати міцно, він може різко відскочити.

**⚠ОБЕРЕЖНО:** Оброблювану деталь обов'язково необхідно затискати в лещатах або подібному пристрою фіксації.

**⚠ОБЕРЕЖНО:** Не допускайте свердління матеріалів, у яких можуть знаходитися приховані цвяхи або інші предмети – це може привести до заїдання або поломки свердла.

**⚠ОБЕРЕЖНО:** Якщо інструмент безперервно працює до розрядження касети з акумулятором, необхідно зробити перерву на 15 хвилин, перш ніж продовжити роботу з новим акумулятором.

## Прикріплення стропа (страхувального ремня)

**⚠Інструкції з техніки безпеки робіт на висоті**  
Ознайомтеся зі всіма застереженнями стосовно техніки безпеки та інструкціями. Недотримання відповідних застережень та інструкцій може призвести до серйозних травм.

1. Під час виконання робіт на висоті обов'язково користуйтеся страхувальним ремнем для фіксації інструмента. Максимальна довжина стропа становить 2 м (6,5 фути). Максимальна допустима висота падіння для стропа (страхувального ремня) не повинна перевищувати 2 м (6,5 фути).
2. З цим інструментом слід використовувати тільки спеціальні стропи, розраховані на навантаження не менше 5,0 кг (11,0 фунти).
3. Не прикріплюйте строп інструмента до елементів одягу або до рухливих деталей. Прикріпіть строп інструмента до жорсткої конструкції, яка може витримати вагу інструменту, що падає.
4. Перед використанням переконайтеся в тому, що строп надійно закріплений з кожного кінця.
5. Перевіряйте інструмент і строп перед кожним використанням на предмет справності та пошкоджень (включаючи стан тканини та швів). Не використовуйте пошкоджене або несправне приладдя.

6. Не огортайте стропи навколо предметів з гострими або зазубленими краями і не допускайте контакту стропів з такими предметами.
7. Прикріпіть інший кінець стропа за межами робочої зони таким чином, щоб інструмент, що падає, надійно фіксувався.
8. Прикріпіть строп таким чином, щоб у разі падіння інструмент рухався в протилежному від оператора напрямку. Інструменти, що впали, розгойдуватимуться на стропах, що може призвести до травми або втрати балансу.
9. Не використовувати поблизу рухомих частин або обладнання, що працює. Недотримання цієї вимоги може призвести до механічних пошкоджень або заплутування.
10. Не переносьте інструмент, тримаючи за кріпильне пристосування або строп.
11. Перекладайте інструмент з однієї руки в іншу тільки перебуваючи в стійкому положенні.
12. Прикріплюючи стропи до інструмента, стежте за тим, щоб вони не перешкождали нормальній роботі захисних пристосувань, перемикачів або важелів блокування.
13. Не допускайте заплутування в стропах.
14. Тримайте строп на відстані від зони різання інструмента.
15. Використовуйте універсальні карабіни та карабіни з гвинтовим замком. Не використовуйте карабіни однієї дії з пружинним фіксатором.
16. Інструмент, що впав, слід позначити, припинити його експлуатацію та відправити на завод або до авторизованого сервісного центру Makita для перевірки.

## ТЕХНІЧНЕ ОБСЛУГОВУВАННЯ

**⚠ОБЕРЕЖНО:** Перед здійсненням перевірки або обслуговування завжди перевіряйте, щоб інструмент був вимкнений, а касета з акумулятором була знята.

**УВАГА:** Ніколи не використовуйте газолін, бензин, розріджувач, спирт та подібні речовини. Їх використання може призвести до зміни кольору, деформації або появи тріщин.

Для забезпечення БЕЗПЕКИ та НАДІЙНОСТІ продукції, її ремонт, а також роботи з обслуговування або регулювання повинні виконуватись уповноваженими або заводськими сервісними центрами Makita із використанням запчастин виробництва компанії Makita.

## ДОДАТКОВЕ ПРИЛАДДЯ

**⚠ ОБЕРЕЖНО:** Це додаткове та допоміжне обладнання рекомендовано використовувати з інструментом Makita, зазначеним у цій інструкції з експлуатації. Використання будь-якого іншого додаткового та допоміжного обладнання може становити небезпеку травмування. Використовуйте додаткове та допоміжне обладнання лише за призначенням.

У разі необхідності отримати допомогу в більш детальному ознайомленні з оснащенням звертайтеся до місцевого сервісного центру Makita.

- Свердла
- Оригінальний акумулятор та зарядний пристрій Makita

**ПРИМІТКА:** Деякі елементи списку можуть входити до комплекту інструмента як стандартне приладдя. Вони можуть відрізнятися залежно від країни.

## SPECIFICAȚII

Model:		DDA450	
Cutie de viteze		Turație înaltă	Turație joasă
Capacități de găurire	Oțel	13 mm	
	Lemn	Burghiu cilindric: 38 mm Burghiu cu alimentare automată: 50 mm Ferăstrău: 101 mm	Burghiu cilindric: 38 mm Burghiu cu alimentare automată: 65 mm Ferăstrău: 127 mm
Turație în gol		0 - 1.400 min <sup>-1</sup>	0 - 450 min <sup>-1</sup>
Lungime totală (cu cartușul acumulatorului BL1860B)		434 mm	
Tensiune nominală		18 V cc.	
Greutate netă		3,2 - 3,5 kg	

- Datorită programului nostru continuu de cercetare și dezvoltare, specificațiile pot fi modificate fără o notificare prealabilă.
- Specificațiile pot varia în funcție de țară.
- Greutatea poate diferi în funcție de accesoriu(ii), inclusiv cartușul acumulatorului. În tabel se prezintă combinația cea mai ușoară și cea mai grea, conform Procedurii EPTA 01/2014.

### Cartușul acumulatorului și încărcătorul aplicabile

Cartușul acumulatorului	BL1815N / BL1820B / BL1830B / BL1840B / BL1850B / BL1860B
Încărcător	DC18RC / DC18RD / DC18RE / DC18SD / DC18SE / DC18SF / DC18SH

- Este posibil ca unele cartușe ale acumulatorilor și încărcătoare menționate mai sus să nu fie disponibile în funcție de regiunea dvs. de reședință.

**⚠️ AVERTIZARE:** Utilizați numai cartușele de acumulator și încărcătoarele enumerate mai sus. Utilizarea oricărui altor cartușe de acumulator și încărcătoare poate duce la rănire și/sau incendii.

### Destinația de utilizare

Această mașină este destinată operațiunilor de găurire a lemnului, metalului și materialelor plastice.

### Zgomot

Nivelul de zgomot normal ponderat A determinat în conformitate cu EN62841-2-1:

Nivel de presiune acustică ( $L_{pA}$ ): 83 dB(A)

Nivel de putere acustică ( $L_{WA}$ ): 94 dB (A)

Marjă de eroare (K): 3 dB(A)

**NOTĂ:** Valoarea (valorile) totală(e) a (ale) emisiilor de zgomot declarate a(u) fost măsurată(e) în conformitate cu o metodă de test standard și poate (pot) fi utilizată(e) pentru compararea unei unelte cu alta.

**NOTĂ:** Valoarea (valorile) totală(e) a (ale) emisiilor de zgomot declarate poate (pot) fi, de asemenea, utilizată(e) într-o evaluare preliminară a expunerii.

**⚠️ AVERTIZARE:** Purtați echipament de protecție pentru urechi.

**⚠️ AVERTIZARE:** Emisiile de zgomot în timpul utilizării efective a unelei electrice poate diferi de valoarea (valorile) nivelului declarat, în funcție de modul în care unealta este utilizată, în special ce fel de piesă este prelucrată.

**⚠️ AVERTIZARE:** Asigurați-vă că identificați măsurile de siguranță pentru a proteja operatorul, acestea fiind bazate pe o estimare a expunerii în condiții reale de utilizare (luând în considerare toate părțile ciclului de operare, precum timpii în care unealta a fost oprită, sau a funcționat în gol, pe lângă timpul de declanșare).

### Vibrații

Valoarea totală a vibrațiilor (suma vectorilor tri-axiali) determinată conform EN62841-2-1:

Mod de lucru: găurirea metalului

Emisie de vibrații ( $a_{h,D}$ ): 2,5 m/s<sup>2</sup> sau mai puțin

Marjă de eroare (K): 1,5 m/s<sup>2</sup>



**NOTĂ:** Valoarea (valorile) totală(e) a (ale) nivelului de vibrații declarat a (au) fost măsurată(e) în conformitate cu o metodă de test standard și poate (pot) fi utilizată(e) pentru compararea unei unelte cu alta.

**NOTĂ:** Valoarea (valorile) totală(e) a (ale) nivelului de vibrații declarat poate (pot) fi, de asemenea, utilizată(e) într-o evaluare preliminară a expunerii.

**⚠️ AVERTIZARE:** Nivelul de vibrații în timpul utilizării efective a unelei electrice poate diferi de valoarea (valorile) nivelului declarat, în funcție de modul în care unealta este utilizată, în special ce fel de piesă este prelucrată.

**⚠️ AVERTIZARE:** Asigurați-vă că identificați măsurile de siguranță pentru a proteja operatorul, acestea fiind bazate pe o estimare a expunerii în condiții reale de utilizare (luând în considerare toate părțile ciclului de operare, precum timpii în care unealta a fost oprită, sau a funcționat în gol, pe lângă timpul de declanșare).

## Declarație de conformitate CE

### Numai pentru țările europene

Declarația de conformitate CE este inclusă ca Anexa A în acest manual de instrucțiuni.

## AVERTIZĂRI DE SIGURANȚĂ

### Avertismente generale de siguranță pentru mașinile electrice

**⚠️ AVERTIZARE:** Citiți toate avertismentele privind siguranța, instrucțiunile, ilustrațiile și specificațiile furnizate cu această sculă electrică. Nerespectarea integrală a instrucțiunilor de mai jos poate cauza electrocutări, incendii și/sau vătămări corporale grave.

### Păstrați toate avertismentele și instrucțiunile pentru consultări ulterioare.

Termenul „mașină electrică” din avertizări se referă la mașinile dumneavoastră electrice acționate de la rețea (prin cablu) sau cu acumulator (fără cablu).

### Avertizări privind siguranța pentru mașina de găurit

Instrucțiuni privind siguranța pentru toate operațiunile

1. **Utilizați mânerele auxiliare.** Pierderea controlului poate produce accidentări.
2. **Țineți mașina electrică de suprafețele de prindere izolate atunci când efectuați o operațiune în timpul căreia accesoriul de tăiere poate intra în contact cu cabluri ascunse.** Accesoriul de tăiere care intră în contact cu un cablu aflat sub tensiune poate pune sub tensiune componentele metalice neizolate ale mașinii electrice și poate supune operatorul la șoc electric.

3. **Păstrați-vă echilibrul. Asigurați-vă că nu se află nicio persoană dedesubt atunci când folosiți mașina la înălțime.**
4. **Țineți bine mașina.**
5. **Nu atingeți piesele în mișcare.**
6. **Nu lăsați mașina în funcțiune. Folosiți mașina numai când o țineți cu mâinile.**
7. **Nu atingeți capul de burghiu sau piesa de lucru imediat după operațiune; acestea pot fi foarte fierbinți și pot cauza arsuri ale pielii.**
8. **Unele materiale conțin substanțe chimice care pot fi toxice. Aveți grijă să nu inhalați praful și evitați contactul cu pielea. Respectați instrucțiunile de siguranță ale furnizorului.**
9. **În cazul în care capul de burghiu nu poate fi slăbit cu toate că deschideți fălcile, utilizați un clește pentru a-l trage afară.** Într-un astfel de caz, tragerea manuală a capului de burghiu poate duce la vătămare din cauza marginii ascuțite a acestuia.
10. **În cazul unei funcționări defectuoase a mașinii, precum sunete anormale, opriți imediat utilizarea acesteia și adresați-vă centrului local de service Makita pentru reparații.**
11. **Înainte de utilizare, asigurați-vă că nu există obiecte îngropate în pământ, cum ar fi țevi electrice, conducte de apă sau gaz.** În caz contrar, mașina le poate atinge, provocând șocuri electrice, scurgeri electrice sau de gaz.

Instrucțiuni privind siguranța atunci când utilizați capete lungi de burghiu

1. **Nu utilizați mașina la o viteză mai mare decât viteza maximă specificată a capului de burghiu.** La viteze mai mari, capul de burghiu se poate îndoi dacă se rotește liber fără să intre în contact cu piesa de prelucrat, provocând accidentări.
2. **Începeți întotdeauna să găuriți la o viteză redusă și ținând vârful capului de burghiu în contact cu piesa de prelucrat.** La viteze mai mari, capul de burghiu se poate îndoi dacă se rotește liber fără să intre în contact cu piesa de prelucrat, provocând accidentări.
3. **Aplicați presiune numai pe direcția capului de burghiu și nu aplicați presiune excesivă.** Capetele se pot îndoi provocând ruperi sau pierderea controlului, ducând la accidentări.

## PĂSTRAȚI ACESTE INSTRUCȚIUNI.

**⚠️ AVERTIZARE:** NU permiteți comodității și familiarizării cu produsul (obținute prin utilizare repetată) să înlocuiască respectarea strictă a normelor de securitate pentru acest produs. **FOLOSIREA INCORECTĂ** sau nerespectarea normelor de securitate din acest manual de instrucțiuni poate provoca vătămări corporale grave.

## Instrucțiuni importante privind siguranța pentru cartușul acumulatorului

1. Înainte de a folosi cartușul acumulatorului, citiți toate instrucțiunile și atenționările de pe (1) încărcătorul acumulatorului, (2) acumulator și (3) produsul care folosește acumulatorul.
2. Nu dezamblați și nu interveniți asupra cartușului acumulatorului. Acest lucru poate cauza incendii, căldură excesivă sau explozii.
3. Dacă timpul de funcționare s-a redus excesiv, întrerupeți imediat funcționarea. Aceasta poate prezenta risc de supraîncălzire, posibile arsuri și chiar explozie.
4. Dacă electrolitul pătrunde în ochi, clătiți bine ochii cu apă curată și consultați imediat un medic. Există risc de orbire.
5. Nu scurtcircuitați cartușul acumulatorului:
  - (1) Nu atingeți bornele cu niciun material conductor.
  - (2) Evitați depozitarea cartușului acumulatorului la un loc cu alte obiecte metalice cum ar fi cuie, monede etc.
  - (3) Nu expuneți cartușul acumulatorului la apă sau ploaie.

Un scurtcircuit al acumulatorului poate provoca un flux puternic de curent electric, supraîncălzire, posibile arsuri și chiar defectarea mașinii.

6. Nu depozitați și nu utilizați mașina și cartușul acumulatorului în locuri în care temperatura poate atinge sau depăși 50 °C (122 °F).
7. Nu incinerati cartușul acumulatorului chiar dacă acesta este grav deteriorat sau complet uzat. Cartușul acumulatorului poate exploda în foc.
8. Nu introduceți cuie în cartușul acumulatorului, nu îl tăiați, striviți, aruncați sau scăpați și nu îl loviți cu un obiect dur. Astfel de acțiuni pot provoca incendii, căldură excesivă sau explozii.
9. Nu utilizați un acumulator deteriorat.
10. Acumulatorii Li-Ion încorporați se supun cerințelor Legislației privind substanțele periculoase.

Pentru transporturi comerciale, efectuate de exemplu de către părți terțe, expeditori, trebuie respectate cerințele speciale de ambalare și etichetare.

Pentru pregătirea articolului care urmează să fie expediat, este necesară consultarea unui expert în materiale periculoase. Vă rugăm să respectați, de asemenea, reglementările naționale, care pot fi mai detaliate.

Izolați sau acoperiți contactele deschise și împachetați acumulatorul în așa fel încât să nu se poată mișca în ambalaj.
11. Atunci când eliminați la deșeuri cartușul acumulatorului, scoateți-l din mașină și eliminați-l într-un loc sigur. Respectați normele naționale privind eliminarea la deșeuri a acumulatorului.

12. Utilizați acumuloarele numai cu produsele specificate de Makita. Instalarea acumulatorilor în produse neconforme poate cauza incendii, căldură excesivă, explozii sau scurgeri de electrolit.
13. Dacă mașina nu este utilizată o perioadă lungă de timp, acumulatorul trebuie scos din acesta.
14. În timpul utilizării și după aceea, cartușul acumulatorului se poate încălzi, ceea ce poate cauza arsuri sau arsuri la temperaturi scăzute. Fiți atenți la manipularea cartușelor de acumulator atunci când sunt fierbinți.
15. Nu atingeți borna mașinii imediat după utilizare, întrucât se poate încălzi foarte tare și poate provoca arsuri.
16. Nu lăsați să pătrundă așchii, praf sau pământ în borne, în orificii și în canalurile cartușului acumulatorului. Acest lucru poate duce la o performanță slabă sau poate cauza defectarea mașinii sau a cartușului acumulatorului.
17. Nu utilizați cartușul acumulatorului în apropierea liniilor electrice de înaltă tensiune, cu excepția cazului în care mașina suportă utilizarea în apropierea liniilor electrice de înaltă tensiune. Acest lucru poate duce la funcționarea necorespunzătoare sau la defectarea mașinii sau a cartușului acumulatorului.
18. Țineți acumulatorul la distanță de copii.

## PĂSTRAȚI ACESTE INSTRUCȚIUNI.

**⚠ATENȚIE:** Folosiți numai acumulatori Makita originali. Acumulatorii Makita care nu sunt originali și acumulatorii care au suferit modificări se pot aprinde, provocând incendii, leziuni corporale și daune. De asemenea, anulează garanția oferită de Makita pentru unele și încărcătorul Makita.

## Sfaturi pentru obținerea unei durate maxime de exploatare a acumulatorului

1. Încărcați cartușul acumulatorului înainte de a se descărca complet. Întrerupeți întotdeauna funcționarea mașinii și încărcați cartușul acumulatorului când observați o scădere a puterii mașinii.
2. Nu reîncărcați niciodată un acumulator complet încărcat. Supraîncărcarea va scurta durata de exploatare a acumulatorului.
3. Încărcați cartușul acumulatorului la temperatura camerei, între 10 °C - 40 °C (50 °F - 104 °F). Lăsați un acumulator fierbinte să se răcească înainte de a-l încărca.
4. Atunci când nu utilizați cartușul acumulatorului, scoateți-l din mașină sau din încărcător.
5. Încărcați cartușul acumulatorului în cazul în care nu a fost utilizat pe o perioadă mai lungă (mai mult de șase luni).

## DESCRIEREA FUNCȚIILOR

**ATENȚIE:** Asigurați-vă întotdeauna că mașina este oprită și cartușul acumulatorului este scos înainte de a ajusta sau verifica funcționarea mașinii.

### Instalarea sau scoaterea cartușului acumulatorului

**ATENȚIE:** Opriți întotdeauna mașina înainte de montarea sau demontarea cartușului de acumulator.

**ATENȚIE:** Țineți ferm mașina și cartușul acumulatorului la montarea sau demontarea cartușului. În cazul în care nu țineți ferm mașina și cartușul de acumulator, acestea vă pot aluneca din mâini, rezultând defectarea mașinii și cartușului de acumulator, precum și în accidente personale.

► Fig.1: 1. Indicator roșu 2. Buton 3. Cartușul acumulatorului

Pentru a scoate cartușul acumulatorului, glisați-l din mașină în timp ce glisați butonul de pe partea frontală a cartușului.

Pentru a instala cartușul acumulatorului, aliniați limba de pe cartușul acumulatorului cu canalul din carcasă și introduceți-l în locaș. Introduceți-l complet, până când se înclochetează în locaș. Dacă puteți vedea indicatorul roșu din partea superioară a butonului, acesta nu este blocat complet.

**ATENȚIE:** Instalați întotdeauna cartușul acumulatorului complet, până când indicatorul roșu nu mai este vizibil. În caz contrar, acesta poate cădea accidental din mașină provocând rănirea dumneavoastră sau a persoanelor din jur.

**ATENȚIE:** Nu forțați cartușul acumulatorului la montare. Dacă acesta nu glisează ușor, înseamnă că a fost introdus incorect.

### Indicarea capacității rămase a acumulatorului

**Numai pentru cartușe de acumulator cu indicator**

► Fig.2: 1. Lămpi indicatoare 2. Buton de verificare

Apăsăți butonul de verificare de pe cartușul acumulatorului, astfel încât să se indice capacitățile rămase ale acumulatorului. Lămpile indicatorului vor lumina timp de câteva secunde.

Lămpi indicatoare			Capacitate rămasă
Iluminat	Oprit	Iluminare intermitentă	
■ ■ ■ ■			între 75% și 100%
■ ■ ■ □			între 50% și 75%
■ ■ □ □			între 25% și 50%
■ □ □ □			între 0% și 25%
▬ □ □ □			Încărcați acumulatorul.
■ ■ □ □			Este posibil ca acumulatorul să fie defect.
□ □ ■ ■			

**NOTĂ:** În funcție de condițiile de utilizare și temperatura ambientală, indicația poate fi ușor diferită de capacitatea reală.

**NOTĂ:** Prima lampă indicatoare (extremitatea stângă) va lumina intermitent când sistemul de protecție a acumulatorului funcționează.

### Sistem de protecție mașină/acumulator

Mașina este prevăzută cu un sistem de protecție mașină/acumulator. Acest sistem întrerupe automat alimentarea motorului pentru a extinde durata de funcționare a mașinii și acumulatorului. Mașina se va opri automat în timpul funcționării dacă mașina sau acumulatorul se află într-una din situațiile următoare:

#### Protecție la suprasarcină

Când mașina/acumulatorul este utilizat într-un mod care duce la un consum de curent anormal de ridicat, mașina se va opri automat. În această situație, opriți mașina și întrerupeți aplicația care a dus la suprasolicitarea mașinii. Apoi, reporniți mașina.

#### Protecție la supraîncălzire

Atunci când mașina/acumulatorul se supraîncălzește, mașina se oprește automat și lampa va lumina intermitent. În această situație, lăsați mașina să se răcească înainte de a o reporni.

#### Protecție la supradescărcare

Când capacitatea acumulatorului scade, unealta se oprește automat. În acest caz, scoateți acumulatorul din mașină și încărcați-l.

## Acționarea întrerupătorului

**ATENȚIE:** Înainte de a introduce cartușul acumulatorului în mașină, verificați întotdeauna dacă butonul declanșator funcționează corect și revine în poziția „OFF” (oprit) când este eliberat.

► Fig.3: 1. Buton declanșator

Pentru a porni mașina, trageți butonul declanșator. Viteza mașinii poate fi crescută prin creșterea forței de apăsare pe butonul declanșator. Eliberați butonul declanșator pentru a opri mașina.

**NOTĂ:** Mașina se va opri automat în cazul în care trageți continuu butonul declanșator timp de aproximativ 6 minute.

## Aprinderea lămpii frontale

**ATENȚIE:** Nu priviți direct în raza sau în sursa de lumină.

► Fig.4: 1. Lampă

Apăsați butonul declanșator pentru a aprinde lampa. Lampa continuă să lumineze atât timp cât butonul declanșator este apăsat. Lampa se stinge după aproximativ 10 secunde de la eliberarea butonului declanșator.

**NOTĂ:** În momentul în care mașina se supraîncălzește, aceasta se oprește automat și lampa începe să lumineze intermitent. În acest caz, eliberați butonul declanșator. Lampa se stinge în 1 minut(e).

**NOTĂ:** Folosiți o lavetă uscată pentru a șterge murdăria de pe lentila lămpii. Aveți grijă să nu zgâriați lentila lămpii deoarece, în caz contrar, iluminarea va fi redusă.

## Funcția inversorului

**ATENȚIE:** Verificați întotdeauna sensul de rotație înainte de utilizare.

**ATENȚIE:** Folosiți inversorul numai după ce mașina s-a oprit complet. Schimbarea sensului de rotație înainte de oprirea mașinii poate avaria mașina.

**ATENȚIE:** Atunci când nu folosiți mașina, deplasați întotdeauna pârghia inversorului în poziția neutră.

Această mașină dispune de un inversor pentru schimbarea sensului de rotație. Apăsați pârghia inversorului în poziția A pentru rotire în sens orar sau în poziția B pentru rotire în sens antiorar. Când pârghia de comutare de inversor se află în poziția neutră, pârghia de comutare nu poate fi trasă.

► Fig.5: 1. Pârghie de inversor

## Schimbarea vitezei

**NOTĂ:** Folosiți butonul de schimbare a vitezei numai după ce mașina s-a oprit complet. Schimbarea vitezei mașinii înainte de oprirea acesteia poate avaria mașina.

**NOTĂ:** Așezați întotdeauna butonul de schimbare a vitezei în poziția corectă. Dacă folosiți mașina cu butonul de schimbare a vitezei poziționat intermediar între poziția 1 și poziția 2, mașina poate fi avariată.

**NOTĂ:** Opriți mașina și comutați în modul de turație scăzută dacă turația scade considerabil în timpul funcționării în modul de turație ridicată. În caz contrar, motorul se poate supraîncălzi și poate produce o avarie sau un incendiu.

Se pot preselecciona două intervale de viteză cu ajutorul butonului de schimbare a vitezei.

Pentru a schimba viteza, rotiți butonul de schimbare a vitezei în așa fel încât indicatorul să indice poziția 1 pentru modul viteză scăzută sau poziția 2 pentru modul viteză ridicată.

► Fig.6: 1. Indicator 2. Buton de schimbare a vitezei

## Funcție electronică

### Frână electrică

Această mașină este echipată cu frână electrică. Dacă în repetate rânduri, mașina nu se oprește rapid după ce butonul declanșator este eliberat, solicitați repararea acesteia la un centru de service Makita.

### Funcție de pornire lină

Această funcție permite pornirea corectă a unelei prin limitarea cuplului de pornire.

## ASAMBLARE

**ATENȚIE:** Asigurați-vă întotdeauna că mașina este oprită și cartușul acumulatorului este scos înainte de a executa orice lucrări la mașină.

### Instalarea mânerului lateral (mânerul auxiliar)

**ATENȚIE:** Asigurați-vă că mânerul lateral este bine fixat înainte de a pune mașina în funcțiune.

Înșurubați bine mânerul lateral pe mașină. Mânerul lateral poate fi instalat pe oricare latură a mașinii, după cum este mai convenabil pentru dvs.

► Fig.7: 1. Mâner lateral

### Instalarea suportului pentru cheie

(Diferă în funcție de țară)

**ATENȚIE:** Asigurați-vă întotdeauna că suportul pentru cheie este bine fixat înainte de a pune mașina în funcțiune.

Înșurubați bine suportul pentru cheie pe mașină. Apoi puneți în poziție cheia pentru mandrină.

► Fig.8: 1. Suport pentru cheie 2. Șurub 3. Cheie pentru mandrină

## Instalarea sau demontarea capului de burghiu

Pentru a instala capul de burghiu, introduceți-l în mandrină până la capăt. Strângeți manual mandrina. Introduceți cheia pentru mandrină în fiecare dintre cele trei orificii și strângeți rotind spre dreapta. Aveți grijă să strângeți uniform toate cele trei orificii ale mandrinei. Pentru a demonta capul de burghiu, răsuciți cheia pentru mandrină spre stânga într-un singur orificiu, apoi slăbiți mandrina manual.

► **Fig.9:** 1. Cheie pentru mandrină

După utilizare, puneți la loc cheia pentru mandrină în suportul pentru cheie al mașinii, așa cum se arată în imagine.

► **Fig.10:** 1. Suport pentru cheie

## Agățătoare

**ATENȚIE:** Scoateți întotdeauna acumulatorul atunci când agățați mașina de agățătoare.

**ATENȚIE:** Nu agățați niciodată mașina în locații înalte sau pe suprafețe potențial instabile.

Cârligul este util pentru suspendarea temporară a mașinii.

Pentru a folosi cârligul, ridicați pur și simplu cârligul până când se blochează în poziție deschisă. Când nu îl folosiți, coborâți întotdeauna cârligul până când se blochează în poziție închisă.

► **Fig.11:** 1. Agățătoare

► **Fig.12**

## Conectarea curelei (cureaua de prindere) de cârlig

**ATENȚIE:** Nu utilizați cârlige sau șuruburi deteriorate. Înainte de utilizare, verificați întotdeauna dacă acestea sunt deteriorate, fisurate sau deformate și asigurați-vă că șuruburile sunt strânse.

**ATENȚIE:** Asigurați fixarea corespunzătoare a cârligului cu șuruburile.

**ATENȚIE:** Nu instalați sau scoateți accesoriile în timp ce suspendați mașina. Dacă șuruburile nu sunt strânse, mașina poate cădea.

**ATENȚIE:** Utilizați întotdeauna o carabinieră de fixare (cu acționare multiplă și cu șuruburi) și asigurați-vă că ați atașat cureaua (cureaua de prindere) la porțiunea cu buclă dublă a agățătoarei. Atașarea necorespunzătoare poate cauza desprinderea mașinii din cârlig și poate duce la accidente.

De asemenea, cârligul este destinat conectării curelei (cureaua de prindere). Asigurați-vă că cureaua (cureaua de prindere) este legată la porțiunea cu buclă dublă a cârligului.

► **Fig.13:** 1. Porțiunea cu buclă dublă a cârligului 2. Curea (cureaua de prindere) 3. Carabinieră de fixare (cu acționare multiplă și cu șuruburi)

## OPERAREA

**ATENȚIE:** Introduceți întotdeauna complet cartușul acumulatorului până când se blochează în locaș. Dacă puteți vedea indicatorul roșu din partea superioară a butonului, acesta nu este blocat complet. Introduceți-l complet, până când indicatorul roșu nu mai este vizibil. În caz contrar, acesta poate cădea accidental din mașină provocând rănirea dumneavoastră sau a persoanelor din jur.

**ATENȚIE:** Când viteza scade extrem de mult, reduceți sarcina sau opriți mașina, pentru a preveni defectarea acesteia.

**ATENȚIE:** Țineți ferm unealta atunci când o utilizați.

## Unealtă-suport

**ATENȚIE:** Aceasta este o unealtă puternică. Unealta funcționează cu un cuplu ridicat și este important ca aceasta să fie bine ținută și fixată.

Apucați mânerul cu o mână și mânerul din față cu cealaltă mână.

► **Fig.14:** 1. Mâner față 2. Mâner

## Găurirea

### Găurirea lemnului

Când găuriți lemn, obțineți cele mai bune rezultate cu burghiile de lemn dotate cu șurub de ghidaj. Șurubul de ghidare ușurează găurirea trăgând capul de burghiu în piesa de prelucrat.

### Găurirea metalului

Pentru a preveni alunecarea capului de burghiu atunci când începeți găurirea, realizați o adâncitură cu un dorn și un ciocan în punctul în care se va găuri. Așezați vârful capului de burghiu în adâncitură și începeți găurirea. Folosiți un lubrifiant de tăiere atunci când găuriți metale. Excepție fac fierul și alama, care trebuie găurite pe uscat.

**ATENȚIE:** Aplicarea unei forțe excesive asupra mașinii nu va grăbi operațiunea de găurire. De fapt, presiunea excesivă nu va face decât să deterioreze burghiul, reducând performanțele mașinii și durata de viață a acesteia.

**ATENȚIE:** Țineți mașina ferm și procedați cu atenție atunci când capul de burghiu trece prin piesa de prelucrat. Asupra mașinii/capului de burghiu este exercitată o forță enormă în momentul în care gaura este străpunsă.

**ATENȚIE:** Un cap de burghiu blocat se poate debloca prin simpla setare a inversorului pentru rotația în sens invers, pentru retragere. Totuși, mașina se poate retrage brusc dacă nu o țineți ferm.

**ATENȚIE:** Piesele trebuie fixate întotdeauna cu o menghină sau cu un alt dispozitiv similar de fixare.

**ATENȚIE:** Evitați găurirea materialelor pe care le suspectați că ar conține cuie ascunse sau alte elemente care pot cauza înțepenirea capului de burghiu sau ruperea acestuia.

**ATENȚIE:** Dacă mașina este folosită continuu până la descărcarea cartușului acumulatorului, lăsați mașina în repaus timp de 15 minute înainte de a continua cu un acumulator nou.

## Conexiune curea (curea de prindere)

**⚠️ Avertismente de siguranță specifice utilizării la înălțime**

Citiți toate avertismentele de siguranță și toate instrucțiunile. Nerespectarea avertizărilor și instrucțiunilor poate conduce la vătămări grave.

1. **Atașați întotdeauna uneltei o curea atunci când lucrați „la înălțime”.** Lungimea maximă a curelei este de 2 m (6,5 ft). Înălțimea de cădere maximă admisă a curelei (cureaua de prindere) nu trebuie să depășească 2 m (6,5 ft).
2. **Utilizați doar curele adecvate pentru acest tip de unealtă și aprobate pentru a susține o greutate de cel puțin 5,0 kg (11,0 lbs).**
3. **Nu ancorați cureaua uneltei de corpul dvs. sau de componente mobile. Ancorați cureaua uneltei de o structură rigidă care să poată susține forțele unei unelte aflate în cădere.**
4. **Asigurați-vă că ați fixat bine cureaua la fiecare capăt înainte de utilizare.**
5. **Inspectați unealta și cureaua înainte de fiecare utilizare pentru a identifica potențialele defecțiuni și dacă funcționarea este corectă (incluzând materialele textile și cusăturile). Nu continuați dacă observați defecțiuni sau dacă nu funcționează corespunzător.**
6. **Nu înfășurați curelele în jurul dvs. și nu le permiteți să intre în contact cu muchii ascuțite sau aspre.**
7. **Prindeți fiecare capăt al curelei în afara zonei de lucru, pentru a putea fixa bine o unealtă în cădere.**
8. **Atașați cureaua astfel încât unealta să se distanțeze de operator în cazul în care cade.** Unelele căzute vor rămâne agățate de curea, ceea ce ar putea provoca vătămări sau pierderea echilibrului.
9. **Nu utilizați în apropierea pieselor în mișcare sau a utilajelor în funcțiune.** În caz contrar, pot apărea accidente sau pericole.
10. **Nu țineți unealta de dispozitivul de atașare sau de curea.**
11. **Mutați unealta dintr-o mână în alta doar dacă sunteți într-o poziție echilibrată.**
12. **Nu atașați curelele de unealtă într-un mod care poate împiedica funcționarea corespunzătoare a apărătoarelor, a butoanelor sau pârghiilor de deblocare.**
13. **Evitați încurcarea în curea.**
14. **Țineți cureaua la distanță de zona de tăiere a uneltei.**
15. **Utilizați carabine acționate multiplu și cu șuruburi. Nu utilizați carabine cu o singură acționare și cu arc.**
16. **În cazul în care unealta cade de la înălțime, trebuie etichetată și scoasă din funcțiune și trebuie inspectată de o fabrică Makita sau de un centru autorizat de service.**

## ÎNȚREȚINERE

**⚠️ ATENȚIE:** Asigurați-vă întotdeauna că mașina este oprită și cartușul acumulatorului scos înainte de a executa lucrările de inspecție și întreținere.

**NOTĂ:** Nu utilizați niciodată gazolină, benzină, diluant, alcool sau alte substanțe asemănătoare. În caz contrar, pot rezulta decolorări, deformări sau fisuri.

Pentru a menține SIGURANȚA și FIABILITATEA produsului, reparațiile și orice alte lucrări de întreținere sau reglare trebuie executate de centre de service Makita autorizate sau proprii, folosind întotdeauna piese de schimb Makita.

## ACCESORII OPȚIONALE

**⚠️ ATENȚIE:** Folosiți accesoriile sau piesele auxiliare recomandate pentru mașina dumneavoastră Makita în acest manual. Utilizarea oricăror alte accesorii sau piese auxiliare poate prezenta risc de vătămare corporală. Utilizați accesoriile și piesele auxiliare numai în scopul destinat.

Dacă aveți nevoie de asistență sau de mai multe detalii referitoare la aceste accesorii, adresați-vă centrului local de service Makita.

- Capete de burghiu
- Acumulator și încărcător original Makita

**NOTĂ:** Unele articole din listă pot fi incluse ca accesorii standard în ambalajul de scule. Acestea pot diferi în funcție de țară.



## TECHNISCHE DATEN

<b>Modell:</b>		<b>DDA450</b>	
Gangstufe		Hoch	Niedrig
Bohrkapazitäten	Stahl	13 mm	
	Holz	Schlangenbohrer: 38 mm Self-Feed-Bohrer: 50 mm Lochsäge: 101 mm	Schlangenbohrer: 38 mm Self-Feed-Bohrer: 65 mm Lochsäge: 127 mm
Leerlaufdrehzahl		0 - 1.400 min <sup>-1</sup>	0 - 450 min <sup>-1</sup>
Gesamtlänge (mit Akku BL1860B)		434 mm	
Nennspannung		Gleichstrom 18 V	
Nettogewicht		3,2 - 3,5 kg	

- Wir behalten uns vor, Änderungen der technischen Daten im Zuge der Entwicklung und des technischen Fortschritts ohne vorherige Ankündigung vorzunehmen.
- Die technischen Daten können von Land zu Land unterschiedlich sein.
- Das Gewicht kann abhängig von dem Aufsatz (den Aufsätzen), einschließlich des Akkus, unterschiedlich sein. Die leichteste und die schwerste Kombination, gemäß dem EPTA-Verfahren 01/2014, sind in der Tabelle angegeben.

### Zutreffende Akkus und Ladegeräte

Akku	BL1815N / BL1820B / BL1830B / BL1840B / BL1850B / BL1860B
Ladegerät	DC18RC / DC18RD / DC18RE / DC18SD / DC18SE / DC18SF / DC18SH

- Einige der oben aufgelisteten Akkus und Ladegeräte sind je nach Ihrem Wohngebiet eventuell nicht erhältlich.

**⚠️ WARNUNG:** Verwenden Sie nur die oben aufgeführten Akkus und Ladegeräte. Bei Verwendung irgendwelcher anderer Akkus und Ladegeräte besteht Verletzungs- und/oder Brandgefahr.

### Vorgesehene Verwendung

Das Werkzeug ist für Bohren in Holz, Metall und Kunststoff vorgesehen.

### Geräusch

Typischer A-bewerteter Geräuschpegel ermittelt gemäß EN62841-2-1:

Schalldruckpegel (L<sub>pA</sub>): 83 dB (A)  
Schallleistungspegel (L<sub>WA</sub>): 94 dB (A)  
Messunsicherheit (K): 3 dB (A)

**HINWEIS:** Der (Die) angegebene(n) Schallemissionswert(e) wurde(n) im Einklang mit der Standardprüfmethode gemessen und kann (können) für den Vergleich zwischen Werkzeugen herangezogen werden.

**HINWEIS:** Der (Die) angegebene(n) Schallemissionswert(e) kann (können) auch für eine Vorbewertung des Gefährdungsgrads verwendet werden.

**⚠️ WARNUNG:** Einen Gehörschutz tragen.

**⚠️ WARNUNG:** Die Schallemission während der tatsächlichen Benutzung des Elektrowerkzeugs kann je nach der Benutzungsweise des Werkzeugs, und speziell je nach der Art des bearbeiteten Werkstücks, von dem (den) angegebenen Wert(en) abweichen.

**⚠️ WARNUNG:** Identifizieren Sie Sicherheitsmaßnahmen zum Schutz des Benutzers anhand einer Schätzung des Gefährdungsgrads unter den tatsächlichen Benutzungsbedingungen (unter Berücksichtigung aller Phasen des Arbeitszyklus, wie z. B. Ausschalt- und Leerlaufzeiten des Werkzeugs zusätzlich zur Betriebszeit).

### Schwingungen

Schwingungsgesamtwert (Drei-Achsen-Vektorsumme) ermittelt gemäß EN62841-2-1:  
Arbeitsmodus: Bohren in Metall  
Schwingungsemission (a<sub>h,D</sub>): 2,5 m/s<sup>2</sup> oder weniger  
Messunsicherheit (K): 1,5 m/s<sup>2</sup>

**HINWEIS:** Der (Die) angegebene(n) Vibrationsgesamtwert(e) wurde(n) im Einklang mit der Standardprüfmethode gemessen und kann (können) für den Vergleich zwischen Werkzeugen herangezogen werden.

**HINWEIS:** Der (Die) angegebene(n) Vibrationsgesamtwert(e) kann (können) auch für eine Vorbewertung des Gefährdungsgrads verwendet werden.

**⚠️ WARNUNG:** Die Vibrationsemission während der tatsächlichen Benutzung des Elektrowerkzeugs kann je nach der Benutzungsweise des Werkzeugs, und speziell je nach der Art des bearbeiteten Werkstücks, von dem (den) angegebenen Emissionswert(en) abweichen.

**⚠️ WARNUNG:** Identifizieren Sie Sicherheitsmaßnahmen zum Schutz des Benutzers anhand einer Schätzung des Gefährdungsgrads unter den tatsächlichen Benutzungsbedingungen (unter Berücksichtigung aller Phasen des Arbeitszyklus, wie z. B. Ausschalt- und Leerlaufzeiten des Werkzeugs zusätzlich zur Betriebszeit).

## EG-Konformitätserklärung

### Nur für europäische Länder

Die EG-Konformitätserklärung ist als Anhang A in dieser Bedienungsanleitung enthalten.

## SICHERHEITSWARNUNGEN

### Allgemeine Sicherheitswarnungen für Elektrowerkzeuge

**⚠️ WARNUNG:** Lesen Sie alle mit diesem Elektrowerkzeug gelieferten Sicherheitswarnungen, Anweisungen, Abbildungen und technischen Daten durch. Eine Missachtung der unten aufgeführten Anweisungen kann zu einem elektrischen Schlag, Brand und/oder schweren Verletzungen führen.

## Bewahren Sie alle Warnungen und Anweisungen für spätere Bezugnahme auf.

Der Ausdruck „Elektrowerkzeug“ in den Warnhinweisen bezieht sich auf Ihr mit Netzstrom (mit Kabel) oder Akku (ohne Kabel) betriebenes Elektrowerkzeug.

### Sicherheitswarnungen für Akku-Bohrschrauber

#### Sicherheitsanweisungen für alle Betriebsvorgänge

1. **Verwenden Sie den (die) Zusatzgriff(e).**  
Verlust der Kontrolle kann Personenschäden verursachen.
2. **Halten Sie das Elektrowerkzeug an den isolierten Griffflächen, wenn Sie Arbeiten ausführen, bei denen die Gefahr besteht, dass das Schneidzubehör verborgene Kabel kontaktiert.** Bei Kontakt mit einem Strom führenden Kabel können die freiliegenden Metallteile des Elektrowerkzeugs ebenfalls Strom führend werden, so dass der Benutzer einen elektrischen Schlag erleiden kann.
3. **Achten Sie stets auf sicheren Stand.** Vergewissern Sie sich bei Einsatz des Werkzeugs an hochgelegenen Arbeitsplätzen, dass sich keine Personen darunter aufhalten.
4. **Halten Sie das Werkzeug mit festem Griff.**

5. **Halten Sie Ihre Hände von rotierenden Teilen fern.**
6. **Lassen Sie das Werkzeug nicht unbeaufsichtigt laufen.** Benutzen Sie das Werkzeug nur mit Handhaltung.
7. **Vermeiden Sie eine Berührung des Bohrereinsatzes oder des Werkstücks unmittelbar nach der Bearbeitung, weil die Teile noch sehr heiß sind und Hautverbrennungen verursachen können.**
8. **Manche Materialien können giftige Chemikalien enthalten.** Treffen Sie Vorsichtsmaßnahmen, um das Einatmen von Arbeitsstaub und Hautkontakt zu verhüten. Befolgen Sie die Sicherheitsdaten des Materiallieferanten.
9. **Falls der Bohrereinsatz selbst durch Öffnen der Futterbacken nicht gelöst werden kann, ziehen Sie ihn mit einer Zange heraus.** In einem solchen Fall kann Herausziehen des Bohrereinsatzes von Hand zu einer Verletzung durch seine scharfe Kante führen.
10. **Falls etwas mit dem Werkzeug nicht stimmt, wie z. B. anormale Geräusche, brechen Sie den Betrieb sofort ab, und wenden Sie sich bezüglich einer Reparatur an Ihre örtliche Makita-Kundendienststelle.**
11. **Vergewissern Sie sich vor dem Betrieb, dass sich keine verborgenen Objekte, wie etwa eine elektrische Leitung, ein Wasserrohr oder ein Gasrohr, im Boden befinden.** Anderenfalls kann das Werkzeug damit in Berührung kommen und einen elektrischen Schlag, einen Leckstrom oder ein Gasleck verursachen.

#### Sicherheitsanweisungen bei Verwendung von langen Bohrereinsätzen

1. **Arbeiten Sie niemals mit einer höheren Drehzahl als der Maximaldrehzahl des Bohrereinsatzes.** Bei höheren Drehzahlen besteht die Gefahr, dass sich der Einsatz verbiegt, wenn zugelassen wird, dass er ohne Kontakt mit dem Werkstück frei rotiert, was zu Personenschäden führen kann.
2. **Starten Sie den Bohrvorgang immer mit einer niedrigen Drehzahl und bei Kontakt der Einsatzspitze mit dem Werkstück.** Bei höheren Drehzahlen besteht die Gefahr, dass sich der Einsatz verbiegt, wenn zugelassen wird, dass er ohne Kontakt mit dem Werkstück frei rotiert, was zu Personenschäden führen kann.
3. **Üben Sie Druck nur in direkter Linie mit dem Einsatz aus, und wenden Sie keinen übermäßigen Druck an.** Einsätze können sich verbiegen, was Bruch oder Verlust der Kontrolle verursachen und zu Personenschäden führen kann.

## BEWAHREN SIE DIESE ANLEITUNG AUF.

**⚠️ WARNUNG:** Lassen Sie sich NICHT durch Bequemlichkeit oder Vertrautheit mit dem Produkt (durch wiederholten Gebrauch erworben) von der strikten Einhaltung der Sicherheitsregeln für das vorliegende Produkt abhalten. MISSBRAUCH oder Missachtung der Sicherheitsvorschriften in dieser Anleitung können schwere Personenschäden verursachen.

## Wichtige Sicherheitsanweisungen für Akku

1. **Lesen Sie vor der Benutzung des Akkus alle Anweisungen und Warnhinweise, die an (1) Ladegerät, (2) Akku und (3) Akkuwerkzeug angebracht sind.**
2. **Unterlassen Sie Zerlegen oder Manipulieren des Akkus.** Es kann sonst zu einem Brand, übermäßiger Hitzeentwicklung oder einer Explosion kommen.
3. **Falls die Betriebszeit beträchtlich kürzer geworden ist, stellen Sie den Betrieb sofort ein.** Andernfalls besteht die Gefahr von Überhitzung, möglichen Verbrennungen und sogar einer Explosion.
4. **Falls Elektrolyt in Ihre Augen gelangt, waschen Sie sie mit sauberem Wasser aus, und begeben Sie sich unverzüglich in ärztliche Behandlung.** Andernfalls können Sie Ihre Sehkraft verlieren.
5. **Der Akku darf nicht kurzgeschlossen werden:**
  - (1) **Die Kontakte dürfen nicht mit leitfähigem Material berührt werden.**
  - (2) **Lagern Sie den Akku nicht in einem Behälter zusammen mit anderen Metallgegenständen, wie z. B. Nägel, Münzen usw.**
  - (3) **Setzen Sie den Akku weder Wasser noch Regen aus.**

Ein Kurzschluss des Akkus verursacht starken Stromfluss, der Überhitzung, mögliche Verbrennungen und einen Defekt zur Folge haben kann.
6. **Lagern und benutzen Sie das Werkzeug und den Akku nicht an Orten, an denen die Temperatur 50 °C erreichen oder überschreiten kann.**
7. **Versuchen Sie niemals, den Akku zu verbrennen, selbst wenn er stark beschädigt oder vollkommen verbraucht ist. Der Akku kann im Feuer explodieren.**
8. **Unterlassen Sie Nageln, Schneiden, Zerquetschen, Werfen, Fallenlassen des Akkus oder Schlagen des Akkus mit einem harten Gegenstand.** Eine solche Handlung kann zu einem Brand, übermäßiger Hitzeentwicklung oder einer Explosion führen.
9. **Benutzen Sie keine beschädigten Akkus.**
10. **Die enthaltenen Lithium-Ionen-Akkus unterliegen den Anforderungen der Gefahrgut-Gesetzgebung.** Für kommerzielle Transporte, z. B. durch Dritte oder Spediteure, müssen besondere Anforderungen zu Verpackung und Etikettierung beachtet werden. Zur Vorbereitung des zu transportierenden Artikels ist eine Beratung durch einen Experten für Gefahrgut erforderlich. Bitte beachten Sie möglicherweise ausführlichere nationale Vorschriften. Überkleben oder verdecken Sie offene Kontakte, und verpacken Sie den Akku so, dass er sich in der Verpackung nicht umher bewegen kann.
11. **Entfernen Sie den Akku zum Entsorgen vom Werkzeug, und entsorgen Sie ihn an einem sicheren Ort. Befolgen Sie die örtlichen Vorschriften bezüglich der Entsorgung von Akkus.**
12. **Verwenden Sie die Akkus nur mit den von Makita angegebenen Produkten.** Das Einsetzen der Akkus in nicht konforme Produkte kann zu einem Brand, übermäßiger Hitzebildung, einer Explosion oder Auslaufen von Elektrolyt führen.
13. **Soll das Werkzeug längere Zeit nicht benutzt werden, muss der Akku vom Werkzeug entfernt werden.**
14. **Bei und nach dem Gebrauch kann der Akku heiß werden, was Verbrennungen oder Niedertemperaturverbrennungen verursachen kann.** Beachten Sie die Handhabung von heißen Akkus.
15. **Berühren Sie nicht den Anschlusskontakt des Werkzeugs unmittelbar nach dem Gebrauch, da er heiß genug werden kann, um Verbrennungen zu verursachen.**
16. **Achten Sie darauf, dass sich keine Späne, Staub oder Schmutz in den Anschlusskontakten, Löchern und Nuten des Akkus absetzen.** Dies kann zu einer Leistungseinbuße oder Betriebsstörung des Werkzeugs oder des Akkus führen.
17. **Wenn das Werkzeug den Einsatz in der Nähe einer Hochspannungs-Stromleitung nicht unterstützt, benutzen Sie den Akku nicht in der Nähe einer Hochspannungs-Stromleitung.** Dies kann zu einer Funktionsstörung oder Betriebsstörung des Werkzeugs oder des Akkus führen.
18. **Halten Sie die Batterie von Kindern fern.**

## DIESE ANWEISUNGEN AUFBEWAHREN.

**⚠ VORSICHT:** Verwenden Sie nur Original-Makita-Akkus. Die Verwendung von Nicht-Original-Makita-Akkus oder von Akkus, die abgeändert worden sind, kann zum Bersten des Akkus und daraus resultierenden Bränden, Personenschäden und Beschädigung führen. Außerdem wird dadurch die Makita-Garantie für das Makita-Werkzeug und -Ladegerät ungültig.

## Hinweise zur Aufrechterhaltung der maximalen Akku-Nutzungsdauer

1. **Laden Sie den Akku, bevor er vollkommen erschöpft ist. Schalten Sie das Werkzeug stets aus, und laden Sie den Akku, wenn Sie ein Nachlassen der Werkzeugleistung feststellen.**
2. **Unterlassen Sie erneutes Laden eines voll aufgeladenen Akkus. Überladen führt zu einer Verkürzung der Nutzungsdauer des Akkus.**
3. **Laden Sie den Akku bei Raumtemperatur zwischen 10 – 40 °C. Lassen Sie einen heißen Akku abkühlen, bevor Sie ihn laden.**
4. **Wenn Sie den Akku nicht benutzen, nehmen Sie ihn vom Werkzeug oder Ladegerät ab.**
5. **Der Akku muss geladen werden, wenn er lange Zeit (länger als sechs Monate) nicht benutzt wird.**

# FUNKTIONSBESCHREIBUNG

**⚠ VORSICHT:** Vergewissern Sie sich vor der Durchführung von Einstellungen oder Funktionsprüfungen des Werkzeugs stets, dass das Werkzeug ausgeschaltet und der Akku abgenommen ist.

## Anbringen und Abnehmen des Akkus

**⚠ VORSICHT:** Schalten Sie das Werkzeug stets aus, bevor Sie den Akku anbringen oder abnehmen.

**⚠ VORSICHT:** Halten Sie das Werkzeug und den Akku beim Anbringen oder Abnehmen des Akkus sicher fest. Wenn Sie das Werkzeug und den Akku nicht sicher festhalten, können sie Ihnen aus der Hand rutschen, was zu einer Beschädigung des Werkzeugs und des Akkus und zu Körperverletzungen führen kann.

► **Abb.1:** 1. Rote Anzeige 2. Knopf 3. Akku

Ziehen Sie den Akku zum Abnehmen vom Werkzeug ab, während Sie den Knopf an der Vorderseite des Akkus verschieben.

Richten Sie zum Anbringen des Akkus dessen Führungsfeder auf die Nut im Gehäuse aus, und schieben Sie den Akku hinein. Schieben Sie ihn vollständig ein, bis er mit einem hörbaren Klicken einrastet. Falls die rote Anzeige an der Oberseite des Knopfes sichtbar ist, ist der Akku nicht vollständig verriegelt.

**⚠ VORSICHT:** Schieben Sie den Akku stets bis zum Anschlag ein, bis die rote Anzeige nicht mehr sichtbar ist. Andernfalls kann er aus dem Werkzeug herausfallen und Sie oder umstehende Personen verletzen.

**⚠ VORSICHT:** Unterlassen Sie Gewaltanwendung beim Anbringen des Akkus. Falls der Akku nicht reibungslos hineingleitet, ist er nicht richtig ausgerichtet.

## Anzeigen der Akku-Restkapazität

Nur für Akkus mit Anzeige

► **Abb.2:** 1. Anzeigelampen 2. Prüftaste

Drücken Sie die Prüftaste am Akku, um die Akku-Restkapazität anzuzeigen. Die Anzeigelampen leuchten wenige Sekunden lang auf.

Anzeigelampen			Restkapazität
Erleuchtet	Aus	Blinkend	
■	□	◐	75% bis 100%
■	■	■	
■	■	□	50% bis 75%
■	□	□	25% bis 50%
■	□	□	0% bis 25%
◐	□	□	Den Akku aufladen.
■	■	□	Möglicherweise liegt eine Funktionsstörung im Akku vor.
□	□	■	

**HINWEIS:** Abhängig von den Benutzungsbedingungen und der Umgebungstemperatur kann die Anzeige geringfügig von der tatsächlichen Kapazität abweichen.

**HINWEIS:** Die erste (äußerste linke) Anzeigelampe blinkt, wenn das Akku-Schutzsystem aktiv ist.

## Werkzeug/Akku-Schutzsystem

Das Werkzeug ist mit einem Werkzeug/Akku-Schutzsystem ausgestattet. Dieses System schaltet die Stromversorgung des Motors automatisch ab, um die Lebensdauer von Werkzeug und Akku zu verlängern. Das Werkzeug bleibt während des Betriebs automatisch stehen, wenn das Werkzeug oder der Akku einer der folgenden Bedingungen unterliegt:

### Überlastschutz

Wird das Werkzeug/der Akku auf eine Weise benutzt, die eine ungewöhnlich hohe Stromaufnahme bewirkt, bleibt das Werkzeug automatisch stehen. Schalten Sie in dieser Situation das Werkzeug aus, und brechen Sie die Arbeit ab, die eine Überlastung des Werkzeugs verursacht hat. Schalten Sie dann das Werkzeug wieder ein, um es neu zu starten.

### Überhitzungsschutz

Wenn das Werkzeug oder der Akku überhitzt wird, bleibt das Werkzeug automatisch stehen, und die Lampe beginnt zu blinken. Lassen Sie das Werkzeug in dieser Situation abkühlen, bevor Sie es wieder einschalten.

### Überentladungsschutz

Wenn die Akkukapazität unzureichend wird, bleibt das Werkzeug automatisch stehen. Nehmen Sie in diesem Fall den Akku vom Werkzeug ab, und laden Sie ihn auf.

## Schalterfunktion

**⚠ VORSICHT:** Vergewissern Sie sich vor dem Einsetzen des Akkus in das Werkzeug stets, dass der Ein-Aus-Schalter ordnungsgemäß funktioniert und beim Loslassen in die AUS-Stellung zurückkehrt.

► **Abb.3:** 1. Ein-Aus-Schalter

Zum Starten des Werkzeugs betätigen Sie den Auslöseschalter. Die Werkzeugdrehzahl erhöht sich durch verstärkte Druckausübung auf den Auslöseschalter. Zum Stoppen lassen Sie den Auslöseschalter los.

**HINWEIS:** Das Werkzeug bleibt automatisch stehen, wenn der Ein-Aus-Schalter etwa 6 Minuten lang betätigt wird.

## Einschalten der Frontlampe

**⚠ VORSICHT:** Blicken Sie nicht direkt in die Lampe oder die Lichtquelle.

► **Abb.4:** 1. Lampe

Betätigen Sie den Ein-Aus-Schalter, um die Lampe einzuschalten. Die Lampe bleibt erleuchtet, solange der Ein-Aus-Schalter gedrückt gehalten wird. Die Lampe erlischt ungefähr 10 Sekunden nach dem Loslassen des Ein-Aus-Schalters.

**HINWEIS:** Wenn das Werkzeug überhitzt wird, bleibt es automatisch stehen, und die Lampe beginnt zu blinken. Lassen Sie in diesem Fall den Auslöseschalter los. Die Lampe erlischt nach 1 Minute(n).

**HINWEIS:** Wischen Sie Schmutz auf der Lampenlinse mit einem trockenen Tuch ab. Achten Sie sorgfältig darauf, dass Sie die Lampenlinse nicht verkratzen, weil sich sonst die Lichtstärke verringert.

## Funktion des Drehrichtungsumschalters

**⚠ VORSICHT:** Prüfen Sie stets die Drehrichtung, bevor Sie mit der Arbeit beginnen.

**⚠ VORSICHT:** Betätigen Sie den Drehrichtungsumschalter erst, nachdem das Werkzeug völlig zum Stillstand gekommen ist. Durch Umschalten der Drehrichtung bei noch laufendem Werkzeug kann das Werkzeug beschädigt werden.

**⚠ VORSICHT:** Stellen Sie den Drehrichtungsumschalthebel stets auf die Neutralstellung, wenn Sie das Werkzeug nicht benutzen.

Dieses Werkzeug besitzt einen Drehrichtungsumschalter. Drücken Sie auf die Seite A des Drehrichtungsumschalthebels für Rechtsdrehung, und auf die Seite B für Linksdrehung. In der Neutralstellung des Drehrichtungsumschalthebels kann der Schalthebel nicht betätigt werden.

► **Abb.5:** 1. Drehrichtungsumschalthebel

## Drehzahl-Umschaltung

**ANMERKUNG:** Betätigen Sie den Drehzahl-Umschaltknopf erst, nachdem das Werkzeug zu einem vollständigen Stillstand gekommen ist. Durch Umschalten der Drehzahl bei noch laufendem Werkzeug kann das Werkzeug beschädigt werden.

**ANMERKUNG:** Rasten Sie den Drehzahl-Umschaltknopf stets sorgfältig in die korrekte Position ein. Wird das Werkzeug bei einer Zwischenstellung des Drehzahl-Umschaltknopfes zwischen den Positionen 1 und 2 betrieben, kann es beschädigt werden.

**ANMERKUNG:** Falls die Drehzahl während des Betriebs im Hochdrehzahl-Modus erheblich abfällt, stoppen Sie das Werkzeug, und schalten Sie es auf den Niederdrehzahl-Modus um. Anderenfalls kann der Motor überlastet werden und eine Funktionsstörung oder einen Brand verursachen.

Zwei Drehzahlbereiche können mit dem Drehzahl-Umschaltknopf vorgewählt werden. Drehen Sie zum Umschalten der Drehzahl den Drehzahl-Umschaltknopf so, dass der Zeiger auf die Position 1 für die Betriebsart mit niedriger Drehzahl bzw. auf die Position 2 für die Betriebsart mit hoher Drehzahl zeigt.

► **Abb.6:** 1. Zeiger 2. Drehzahl-Umschaltknopf

## Elektronikfunktion

### Elektrische Bremse

Dieses Werkzeug ist mit einer elektrischen Bremse ausgestattet. Falls das Werkzeug nach dem Loslassen des Auslöseschalters ständig nicht sofort anhält, lassen Sie es von einer Makita-Kundendienststelle warten.

### Soft-Start-Funktion

Diese Funktion ermöglicht weiches Anlaufen des Werkzeugs durch Begrenzung des Anlaufdrehmoments.

## MONTAGE

**⚠ VORSICHT:** Vergewissern Sie sich vor der Ausführung von Arbeiten am Werkzeug stets, dass das Werkzeug ausgeschaltet und der Akku abgenommen ist.

### Montieren des Seitengriffs (Zusatzgriffs)

**⚠ VORSICHT:** Vergewissern Sie sich vor dem Betrieb stets, dass der Seitengriff einwandfrei montiert ist.

Schrauben Sie den Seitengriff fest an das Werkzeug an. Der Seitengriff kann je nach Bevorzugung auf der linken oder rechten Seite des Werkzeugs installiert werden.

► **Abb.7:** 1. Seitengriff

### Montieren des Schlüsselhalters

*(Länderspezifisch)*

**⚠ VORSICHT:** Vergewissern Sie sich vor dem Betrieb stets, dass der Schlüsselhalter einwandfrei montiert ist.

Schrauben Sie den Schlüsselhalter fest am Werkzeug an. Bringen Sie dann den Futterschlüssel an.

► **Abb.8:** 1. Schlüsselhalter 2. Schraube  
3. Futterschlüssel

### Montage und Demontage des Bohrereinsatzes

Zum Montieren führen Sie den Bohrereinsatz bis zum Anschlag in das Futter ein. Ziehen Sie das Futter von Hand an. Stecken Sie den Futterschlüssel in jedes der drei Löcher ein, und drehen Sie ihn im Uhrzeigersinn. Ziehen Sie das Futter in allen drei Löchern unbedingt mit gleicher Kraft an. Führen Sie den Bohrfutterschlüssel zum Demontieren des Bohrereinsatzes nur in ein Loch ein, und drehen Sie ihn entgegen dem Uhrzeigersinn, bevor Sie das Futter von Hand lösen.

► **Abb.9:** 1. Futterschlüssel

Setzen Sie den Futterschlüssel nach Gebrauch wieder in den Schlüsselhalter am Werkzeug ein, wie dargestellt.

► **Abb.10:** 1. Schlüsselhalter

## Haken

**⚠ VORSICHT:** Nehmen Sie stets den Akku ab, wenn Sie das Werkzeug am Aufhänger aufhängen.

**⚠ VORSICHT:** Hängen Sie das Werkzeug auf keinen Fall an hoch gelegenen Stellen oder an einer potentiell instabilen Fläche auf.

Der Aufhänger ist praktisch, um das Werkzeug vorübergehend aufzuhängen.

Um den Aufhänger zu benutzen, heben Sie ihn einfach an, bis er in die geöffnete Position einrastet. Wenn er nicht betätigt wird, senken Sie den Aufhänger stets ab, bis er in die geschlossene Position einrastet.

► **Abb.11:** 1. Haken

► **Abb.12**

## Anschließen einer Schnur (Haltegurt) am Aufhänger

**⚠ VORSICHT:** Benutzen Sie den Aufhänger und die Schrauben nicht, wenn sie beschädigt sind. Überprüfen Sie das Werkzeug vor Gebrauch stets auf Beschädigung, Risse oder Verformung, und vergewissern Sie sich, dass die Schrauben angezogen sind.

**⚠ VORSICHT:** Vergewissern Sie sich, dass der Aufhänger mit den Schrauben sicher montiert ist.

**⚠ VORSICHT:** Unterlassen Sie Montieren oder Demontieren von Zubehör, während Sie das Werkzeug aufhängen. Das Werkzeug kann herunterfallen, falls die Schrauben nicht festgezogen sind.

**⚠ VORSICHT:** Verwenden Sie stets einen Schraubkarabiner (Multi-Action- und Screw Gate-Ausführung), und befestigen Sie unbedingt die Schnur (Haltegurt) am Doppelschleifenteil des Aufhängers. Ungeeignete Befestigung kann Herunterfallen des Werkzeugs vom Aufhänger verursachen, was zu Personenschäden führen kann.

Der Aufhänger ist auch zum Anschließen der Schnur (Haltegurt) vorgesehen. Schließen Sie die Schnur (Haltegurt) unbedingt an den Doppelschleifenteil des Aufhängers an.

► **Abb.13:** 1. Doppelschleifenteil des Aufhängers  
2. Schnur (Haltegurt) 3. Schraubkarabiner (Multi-Action- und Screw Gate-Ausführung)

## BETRIEB

**⚠ VORSICHT:** Führen Sie den Akku immer vollständig ein, bis er einrastet. Falls die rote Anzeige an der Oberseite des Knopfes sichtbar ist, ist der Akku nicht vollständig verriegelt. Schieben Sie ihn bis zum Anschlag ein, bis die rote Anzeige nicht mehr sichtbar ist. Anderenfalls kann er aus dem Werkzeug herausfallen und Sie oder umstehende Personen verletzen.

**⚠ VORSICHT:** Wenn die Drehzahl sehr stark abfällt, verringern Sie die Last, oder halten Sie das Werkzeug an, um Beschädigung des Werkzeugs zu vermeiden.

**⚠ VORSICHT:** Halten Sie das Werkzeug während der Benutzung mit festem Griff.

## Halten des Werkzeugs

**⚠ VORSICHT:** Dies ist ein leistungsstarkes Werkzeug. Da ein hohes Drehmoment entwickelt wird, ist es wichtig, das Werkzeug sicher festzuhalten und einwandfrei abzustützen.

Greifen Sie den Handgriff mit der einen Hand, und den vorderen Handgriff mit der anderen Hand.

► **Abb.14:** 1. Vorderer Handgriff 2. Handgriff

## Bohrbetrieb

### Bohren in Holz

Beim Bohren in Holz lassen sich die besten Ergebnisse mit Holzbohrern erzielen, die mit einer Zentrierspitze ausgestattet sind. Die Zentrierspitze erleichtert das Bohren, da sie den Bohrereinsatz in das Werkstück hineinzieht.

### Bohren in Metall

Um Abrutschen des Bohrereinsatzes beim Anbohren zu vermeiden, empfiehlt es sich, die Bohrstelle mit einem Zentriertkorn anzukörnen. Setzen Sie dann die Spitze des Bohrereinsatzes in die Vertiefung, und beginnen Sie mit dem Bohren.

Verwenden Sie Schneidflüssigkeit beim Bohren von Metall. Eisen und Messing sollten jedoch trocken gebohrt werden.

**⚠ VORSICHT:** Übermäßige Druckausübung auf das Werkzeug bewirkt keine Beschleunigung der Bohrleistung. Im Gegenteil; übermäßiger Druck führt zu einer Beschädigung der Spitze des Bohrereinsatzes und damit zu einer Verringerung der Leistungsfähigkeit sowie zu einer Verkürzung der Lebensdauer des Werkzeugs.

**⚠ VORSICHT:** Halten Sie daher das Werkzeug mit festem Griff und lassen Sie Vorsicht walten, wenn der Bohrereinsatz im Begriff ist, aus dem Werkstück auszutreten. Beim Bohrungsdurchbruch wirkt ein hohes Rückdrehmoment auf Werkzeug und Bohrereinsatz.

**⚠ VORSICHT:** Ein feststehender Bohrereinsatz lässt sich durch einfaches Umschalten der Drehrichtung wieder herausdrehen. Dabei sollten Sie aber das Werkzeug gut festhalten, damit es nicht ruckartig herausgestoßen wird.

**⚠ VORSICHT:** Spannen Sie Werkstücke stets in einen Schraubstock oder eine ähnliche Aufspannvorrichtung ein.

**⚠ VORSICHT:** Vermeiden Sie das Anbohren von Material, bei dem Sie den Verdacht haben, dass verborgene Nägel oder andere Gegenstände vorhanden sind, die Klemmen oder Abbrechen des Bohrereinsatzes verursachen können.

**⚠ VORSICHT:** Wenn das Werkzeug im Dauerbetrieb bis zur vollkommenen Entladung des Akkus benutzt wurde, lassen Sie das Werkzeug vor dem Fortsetzen des Betriebs mit einem frischen Akku 15 Minuten lang ruhen.



## Anschluss einer Schnur (Haltegurt)

**⚠️ Spezielle Sicherheitswarnungen für Gebrauch an hohen Orten**

Lesen Sie alle Sicherheitswarnungen und Anweisungen durch. Eine Missachtung der Warnungen und Anweisungen kann zu schweren Verletzungen führen.

1. Halten Sie das Werkzeug stets angebunden, wenn Sie „an hohen Orten“ arbeiten. Die maximale Schnurlänge beträgt 2 m. Die maximal zulässige Fallhöhe für die Schnur (Haltegurt) darf 2 m nicht überschreiten.
2. Verwenden Sie nur für diesen Werkzeugschnur geeignete Schnüre, die für eine Belastung von mindestens 5,0 kg (11,0 lbs) bemessen sind.
3. Verankern Sie die Werkzeugschnur nicht an irgendeinem Körperteil oder an beweglichen Komponenten. Verankern Sie die Werkzeugschnur an einer starren Struktur, die den Kräften eines herunterfallenden Werkzeugs widerstehen kann.
4. Vergewissern Sie sich vor der Benutzung, dass die Schnur an beiden Enden einwandfrei gesichert ist.
5. Überprüfen Sie Werkzeug und Schnur vor jeder Benutzung auf Beschädigung und ordnungsgemäße Funktion (einschließlich Stoff und Nähte). Unterlassen Sie den Gebrauch bei Beschädigung oder nicht ordnungsgemäßer Funktion.
6. Wickeln Sie die Schnüre nicht um scharfe oder raue Kanten, und lassen Sie sie auch nicht mit diesen in Berührung kommen.
7. Befestigen Sie das andere Ende der Schnur außerhalb des Arbeitsbereichs, so dass ein herunterfallendes Werkzeug sicher gehalten wird.
8. Bringen Sie die Schnur so an, dass sich das Werkzeug vom Bediener weg bewegt, falls es herunterfällt. Heruntergefallene Werkzeuge schwingen an der Schnur, was Verletzungen oder Verlust des Gleichgewichts verursachen kann.
9. Unterlassen Sie die Benutzung in der Nähe von beweglichen Teilen oder laufenden Maschinen. Anderenfalls besteht Gefährdung durch Zerquetschen oder Erfassen.
10. Tragen Sie das Werkzeug nicht an der Aufsatzvorrichtung oder der Schnur.
11. Übertragen Sie das Werkzeug nur zwischen Ihren Händen, wenn Sie einwandfreies Gleichgewicht haben.
12. Befestigen Sie Schnüre nicht in einer Weise am Werkzeug, die ordnungsgemäßes Funktionieren von Schutzhauben, Schaltern oder Verriegelungen verhindert.
13. Vermeiden Sie es, in der Schnur verwickelt zu werden.
14. Halten Sie die Schnur vom Schneidbereich des Werkzeugs fern.
15. Verwenden Sie Multi-Action-Karabiner und Karabiner mit Schraubverschluss. Verwenden Sie keine Single-Action-Karabiner mit Federschnapper.
16. Falls das Werkzeug herunterfällt, muss es markiert und außer Betrieb genommen werden und sollte von einem Makita-Werk oder einem autorisierten Service-Center überprüft werden.

## WARTUNG

**⚠️ VORSICHT:** Vergewissern Sie sich vor der Durchführung von Inspektions- oder Wartungsarbeiten stets, dass das Werkzeug ausgeschaltet und der Akku abgenommen ist.

**ANMERKUNG:** Verwenden Sie auf keinen Fall Benzin, Waschbenzin, Verdünnern, Alkohol oder dergleichen. Solche Mittel können Verfärbung, Verformung oder Rissbildung verursachen.

Um die SICHERHEIT und ZUVERLÄSSIGKEIT dieses Produkts zu gewährleisten, sollten Reparaturen und andere Wartungs- oder Einstellarbeiten nur von Makita-Vertragswerkstätten oder Makita-Kundendienstzentren unter ausschließlicher Verwendung von Makita-Originalersatzteilen ausgeführt werden.

## SONDERZUBEHÖR

**⚠️ VORSICHT:** Die folgenden Zubehörteile oder Vorrichtungen werden für den Einsatz mit dem in dieser Anleitung beschriebenen Makita-Werkzeug empfohlen. Die Verwendung anderer Zubehörteile oder Vorrichtungen kann eine Verletzungsgefahr darstellen. Verwenden Sie Zubehörteile oder Vorrichtungen nur für ihren vorgesehenen Zweck.

Wenn Sie weitere Einzelheiten bezüglich dieser Zubehörteile benötigen, wenden Sie sich bitte an Ihre Makita-Kundendienststelle.

- Bohrereinsätze
- Original-Makita-Akku und -Ladegerät

**HINWEIS:** Manche Teile in der Liste können als Standardzubehör im Werkzeugsatz enthalten sein. Sie können von Land zu Land unterschiedlich sein.





**Makita Europe N.V.** Jan-Baptist Vinkstraat 2,  
3070 Kortenberg, Belgium

**Makita Corporation** 3-11-8, Sumiyoshi-cho,  
Anjo, Aichi 446-8502 Japan

[www.makita.com](http://www.makita.com)

885869-974 EN, PL, HU, SK, CS, UK, RO, DE 20201202
---